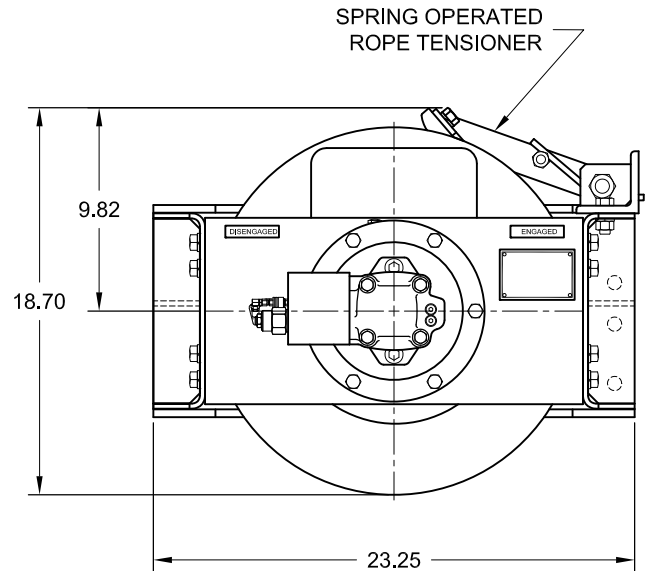
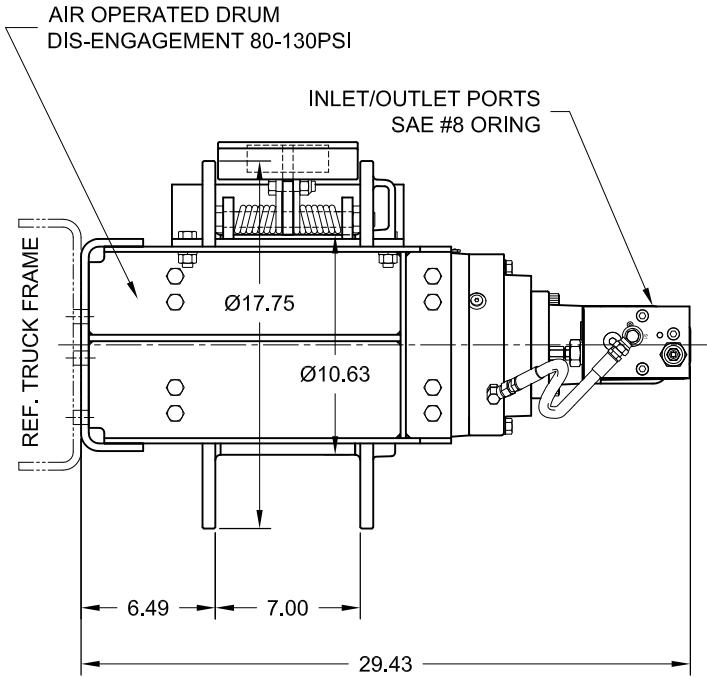




RECOVERY WINCHES MODEL 20K SIDE MOUNT

20,000 lbs.



APPROX. WEIGHT: 510 lb.

PERFORMANCE DATA

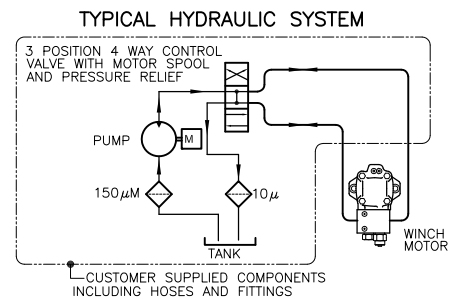
Layer	Drum Capacity ft	Line Pull lbs	Line Speed fpm
1	33	20000	49
2	69	18200	54
3	108	16700	59
4	151	15400	64
5	197	14300	69
6	246*	13300	74

Performance is based on 30 gpm (max flow)
@ 2750 psi with Ø9/16" wire rope.

Cable capacities are in accordance with SAE J706, with the exception of the *last layer.

Actual cable capacities are usually up to 10% greater than those shown.

Other performance and motor options are available.



Contact your dp sales representative for additional options and features not shown.
The rated line pulls are for the winch only. Consult the rope manufacturer for rope ratings.

Because of continued product improvement, we reserve the right to make changes without notice.

⚠ WARNING	⚠ CAUTION
Winches are not intended to be used for the lifting or moving of persons.	The last 5 wraps cable must be left on the drum to assist the cable clamp in holding the load.

11135 S. James Ave.
Jenks, OK 74037
Phone: 918-298-8300
Fax: 918-298-8367
Email: sales@dovertwg.com
www.dovertwg.com

