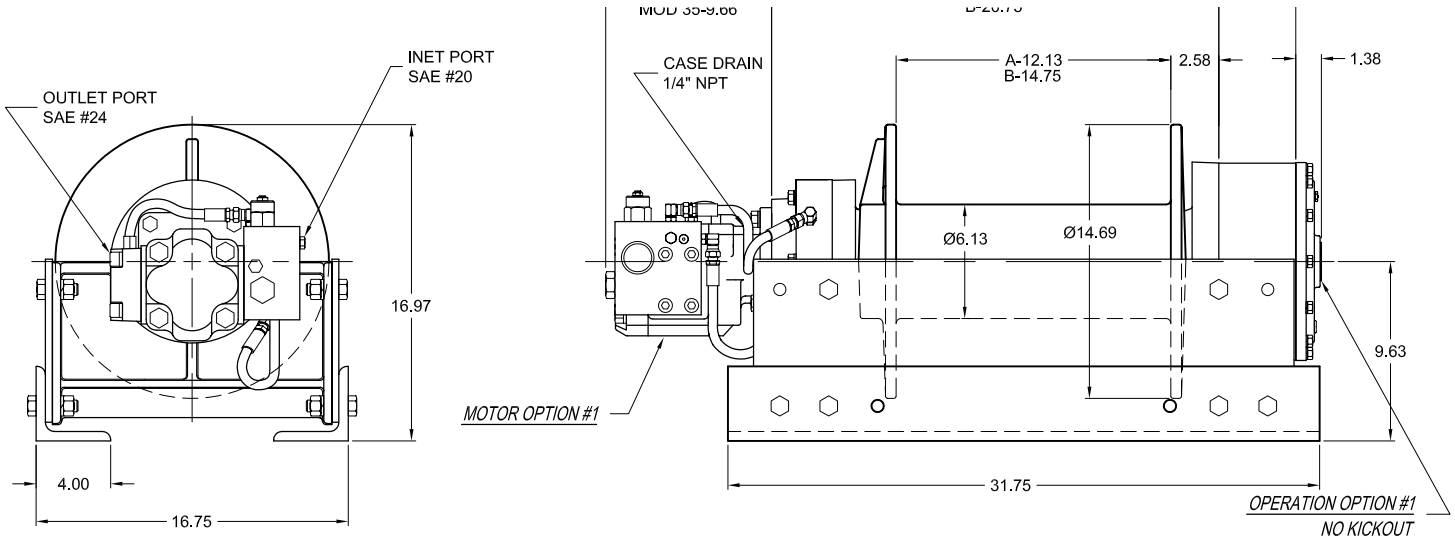




RECOVERY WINCHES

MODEL 25-30-35

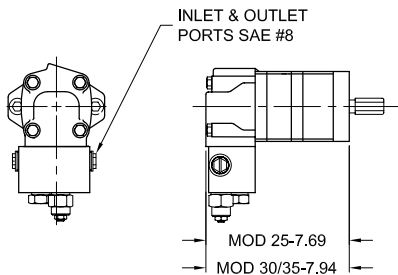
25,000 - 30,000 - 35,000 lbs.



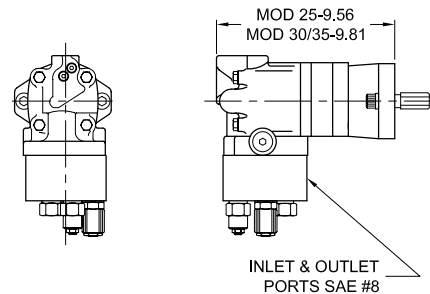
APPROX. WEIGHT: 645 lb.

OPTIONAL FEATURES

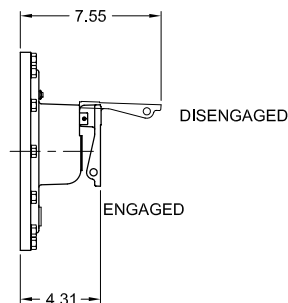
MOTOR OPTION #2 MEDIUM FLOW



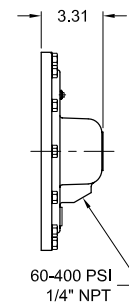
MOTOR OPTION #5 & 9 LOW FLOW 2 SPEED



OPERATION OPTION #5 MANUAL LEVER KICK OUT



OPERATION OPTION #4 AIR/HYDRAULIC KICKOUT



Contact your dp sales representative for additional options and features not shown.

Because of continued product improvement, we reserve the right to make changes without notice.

⚠ WARNING	⚠ CAUTION
Winches are not intended to be used for the lifting or moving of persons.	The last 5 wraps cable must be left on the drum to assist the cable clamp in holding the load.

11135 S. James Ave.
Jenks, OK 74037
Phone: 918-298-8300
Fax: 918-298-8367
Email: sales@dovertwg.com
www.dovertwg.com

