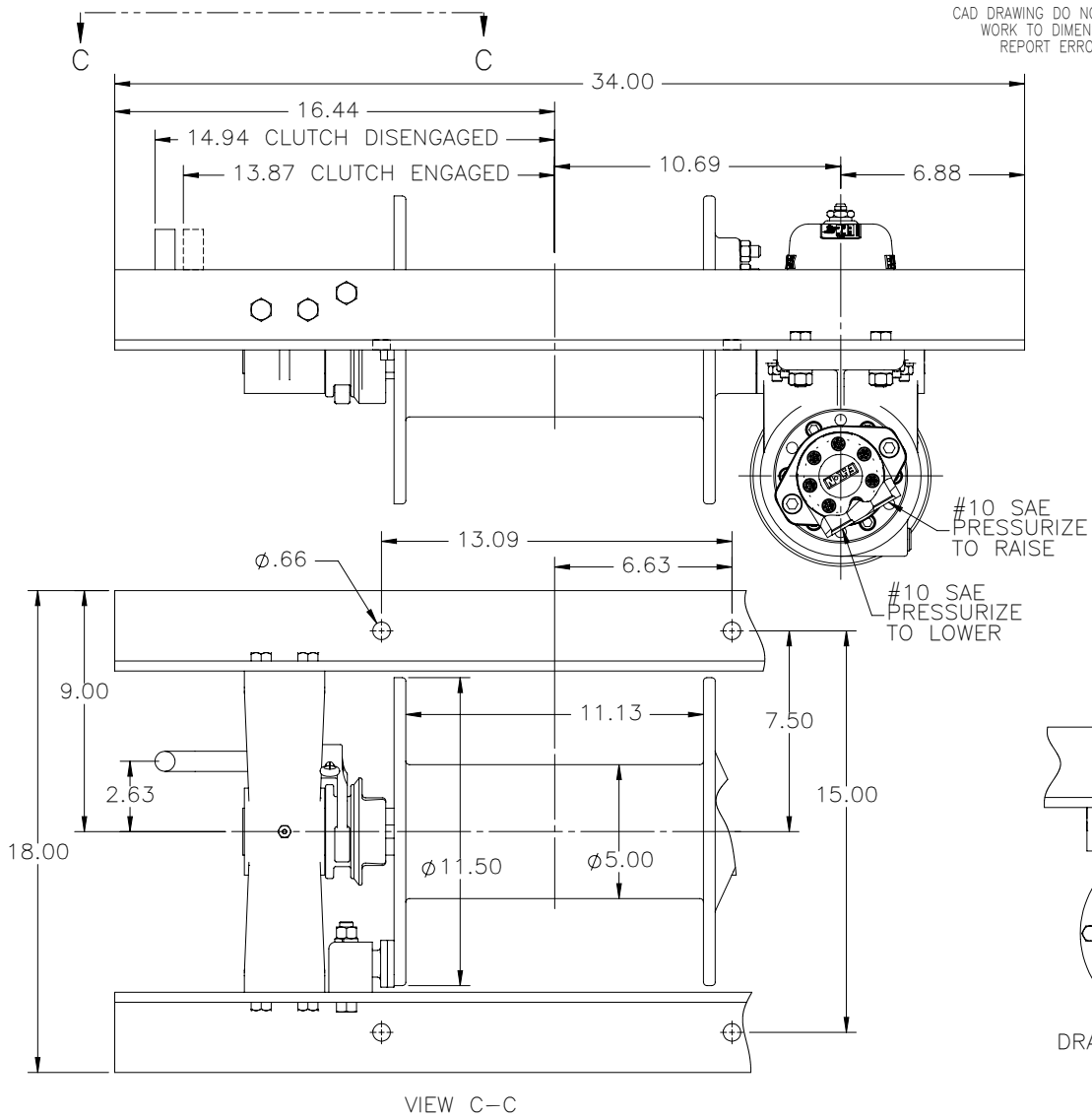


CAD DRAWING DO NOT SCALE
WORK TO DIMENSIONS
REPORT ERRORS



DRUM ROTATION
TO RAISE

