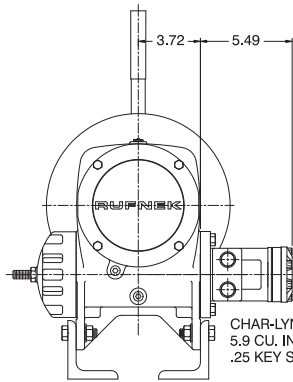
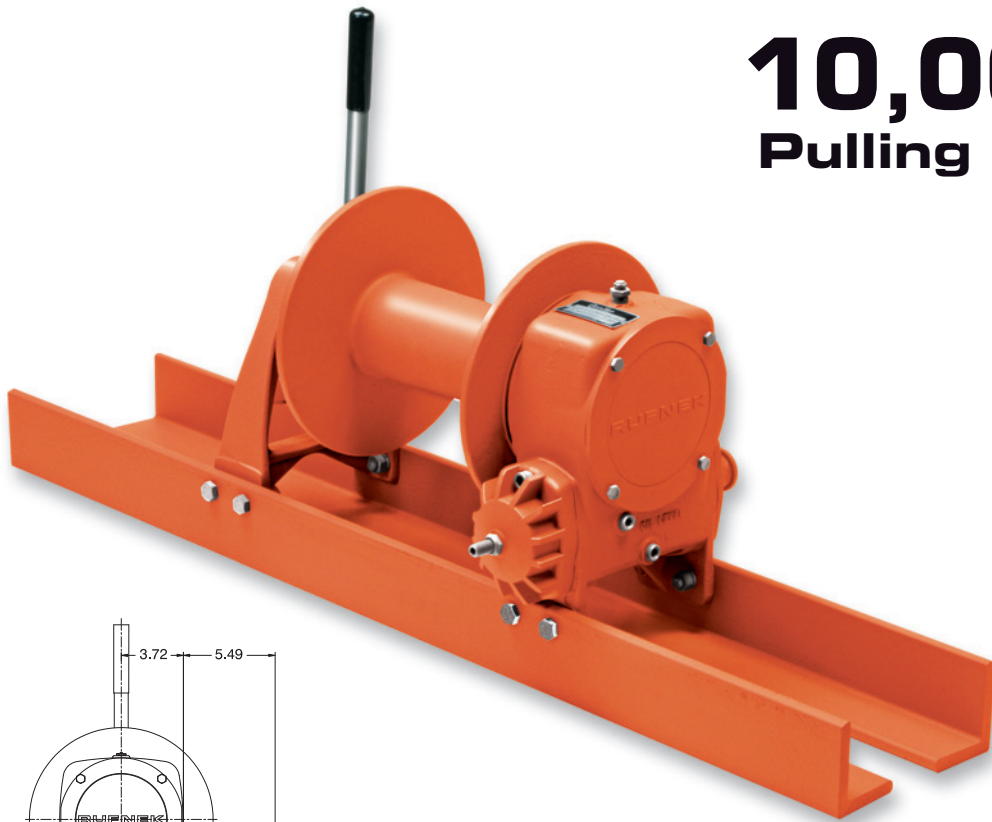


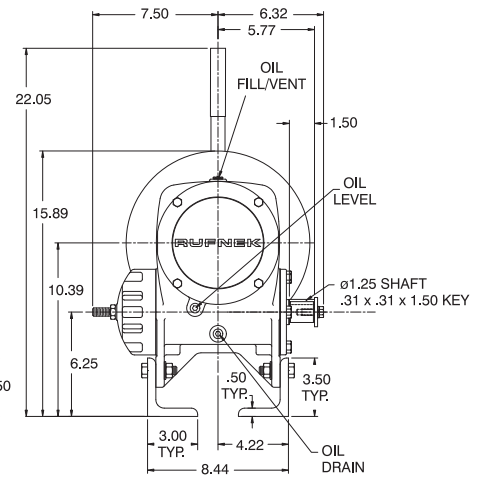
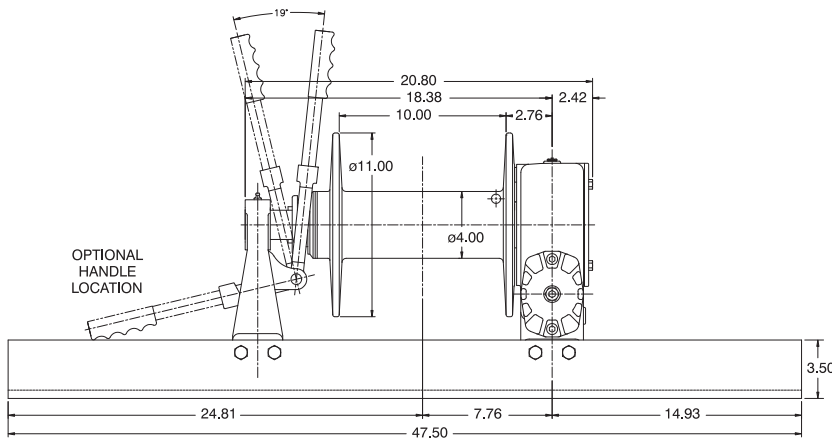
RN10W

RUFNEK® Worm Gear Winches

10,000 lb. Pulling Capacity



CHAR-LYNN H+ SERIES MOTOR,
5.9 CU. IN. 2 BOLT "A" MOUNT 1.00 DIA.,
.25 KEY SHAFT, 7/8 - 14 O'RING PORTS



Approximate weight: 215 lb Mechanical / 227 lb Hydraulic

HYDRAULIC PERFORMANCE DATA

Layer	Linepull (lb)	Linepull (kg)	Linespeed (fpm)	Linespeed (mpm)	Cable Cap. - .4375" Ø (ft)	Cable Cap. - .4375" Ø (m)
1	10,000	4,536	21	6	23	7
2	8,358	3,791	25	8	51	15
3	7,176	3,255	29	9	83	25
4	6,287	2,852	33	10	119	36
5	5,594	2,537	37	11	160	49

MECHANICAL DRIVE

Input Torque-Static (lb-in)	Input Torque-Static (Nm)	Input Torque-Dynamic (lb-in)	Input Torque-Dynamic (Nm)	Input Speed (rpm)
1,618	183	1,100	124	max. 800

HYDRAULIC DRIVE (5.9 CID Motor)

Pressure (Δ psi)		Flow (gpm)	
Pressure (Δ bar)		Flow (lpm)	
1,600	103	20	76

4.00 BBI x 11.00 FL x 10.00 W

Cable Size (in)	Capacity (ft)	Capacity (m)
0.375	343	105
0.5	198	60

⚠ CAUTION:

The last 5 wraps of cable must be left on the drum to assist the cable clamp in holding the load.

⚠ WARNING:

Winches and capstans are not intended to be used for lifting or moving of persons.