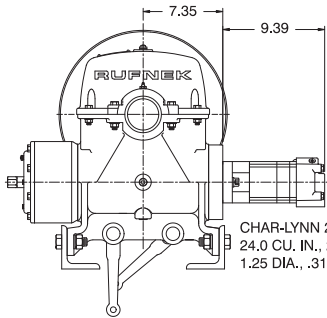
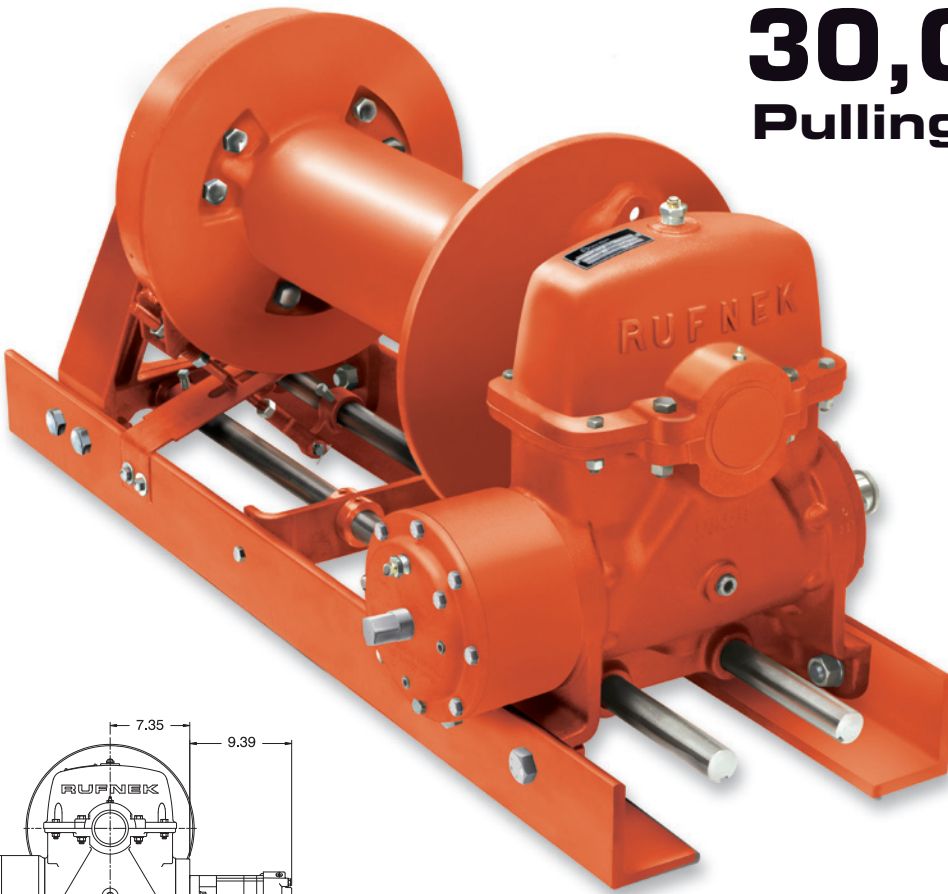
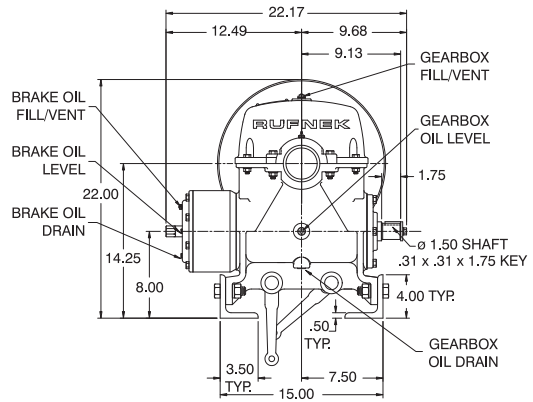
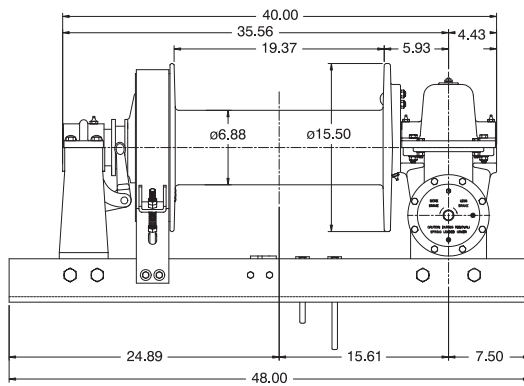
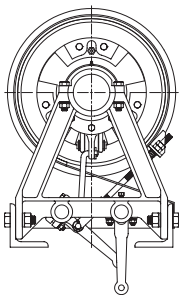


30,000 lb. Pulling Capacity

RNF30W



CHAR-LYNN 2000 SERIES MOTOR,
24.0 CU. IN., 2 BOLT "A" MOUNT
1.25 DIA., .31 KEY SHAFT, 7/8-14 O'RING PORTS



Approximate weight: 650 lb Mechanical / 678 lb Hydraulic

HYDRAULIC PERFORMANCE DATA						MECHANICAL DRIVE					
Layer	Linepull (lb)	Linepull (kg)	Linespeed (fpm)	Linespeed (mpm)	Cable Cap. - .75"Ø (ft)	Cable Cap. - .75"Ø (m)	Input Torque-Static (lb-in)	Input Torque-Static (Nm)	Input Torque-Dynamic (lb-in)	Input Torque-Dynamic (Nm)	Input Speed (rpm)
1	30,000	13,608	11	3	45	14	8,153	921	5,851	661	max. 400
2	25,074	11,374	13	4	99	30	HYDRAULIC DRIVE (24.0 CID Motor)				
3	21,534	9,768	15	5	161	49	Pressure (Δ psi)		Flow (gpm)		
4	18,870	8,559	17	5	233	71	(Δ bar)		(lpm)		
5	16,793	7,617	19	6	313	95	1,750		121		20
							76		6.88 BBI x 15.50 FL x 19.37 W		
CAUTION:			WARNING:			Cable Size (in)	Capacity (ft)	Capacity (m)			
The last 5 wraps of cable must be left on the drum to assist the cable clamp in holding the load.			Winches and capstans are not intended to be used for lifting or moving of persons.			0.5625	493	150			
						0.625	450	137			

RUFNEK® Worm Gear Winches