



WARN Industrial Hoist

Model

Part Number

Motor Type

DC4000

90124

DC Electric
24 Volt
Series Wound



The DC4000 hoist combines a powerful series wound DC motor with robust sealing and our proven 3-stage all metal geartrain. Permanent grease lubrication means years of trouble free service. All WARN hoists incorporate an automatic mechanical brake that holds full rated load. The durable powder coated finish stands up to the elements and looks great. The DC4000 hoist is built on WARN's robust large frame design with a cast aluminum drum to provide plenty of wire rope capacity. Controls and accessories available separately.

Accessories

Description:	Part Number
Control Pack-24V	39603
Contactors Only-24V (Standard bracket)	34790
Contactors Only-24V (w/ bracket for cover)	34976
Contactors Cover (with remote plug)	36648
Contactors Cover (no plug)	35169
Remote Control Only	88528

Engineering Data

Rated Capacity:	4000 lbf	1814 kgf
Drum Barrel Diameter:	6.40 in	163 mm
Drum Flange Diameter:	10.0 in	254 mm
Distance Between Flanges:	5.94 in	151 mm
Recommended Maximum Wire Rope Diameter:	3/8 in	9.5 mm
Recommended Minimum Wire Rope Breaking Strength:	14400 lbf	6532 kgf
Approximate Shipping Weight:	89.0 lb	40.4 kg
Duty Cycle (intermittent per SAE J706 section 6.2):	N/A ft	N/A m
Mounting Bolt Torque:	35 - 40 ft*lbf	47 - 54 N*m
Maximum Layers of Wire Rope:	3	
Gear Reduction:	315	
Brake Type:	Automatic Disc	
Contactors/Remote Type:	Not Included	

Drum Rotation



Viewed from Motor End

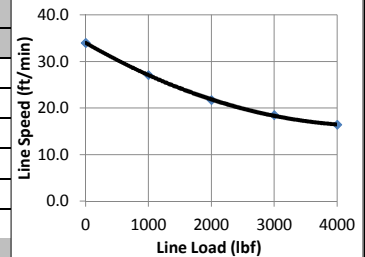
Standards Compliance

1. - CE Machinery Directive 98/37/EC and 2006/42/EC
2. - CE Electromagnetic Compatibility 2004/108/EC
3. - ASME B30.5

Performance By Layer

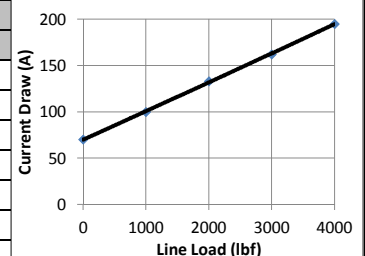
Drum Layer	Line Load *			No Load Line Speed		Drum Capacity	
	lbf	kgf	kN	ft/min	m/min	ft	m
1	4000	1814	17.8	34.0	10.4	25	7.6
2	3601	1633	16.0	37.8	11.5	53	16.2
3	3275	1486	14.6	41.5	12.6	83	25.3

* Never exceed the Rated Capacity. Installation of a Rated Capacity Limiter is recommended.



First Layer Performance

Line Load		Current Draw	Line Speed		Duty Cycle
lbf	kgf	Amps	ft/min	m/min	min/10min
0	0	70	34.0	10.4	3.1
1000	454	100	27.1	8.3	2.7
2000	907	133	21.7	6.6	2.3
3000	1361	162	18.5	5.6	1.9
4000	1814	195	16.4	5.0	1.5



WARN INDUSTRIES, INC
Industrial Products

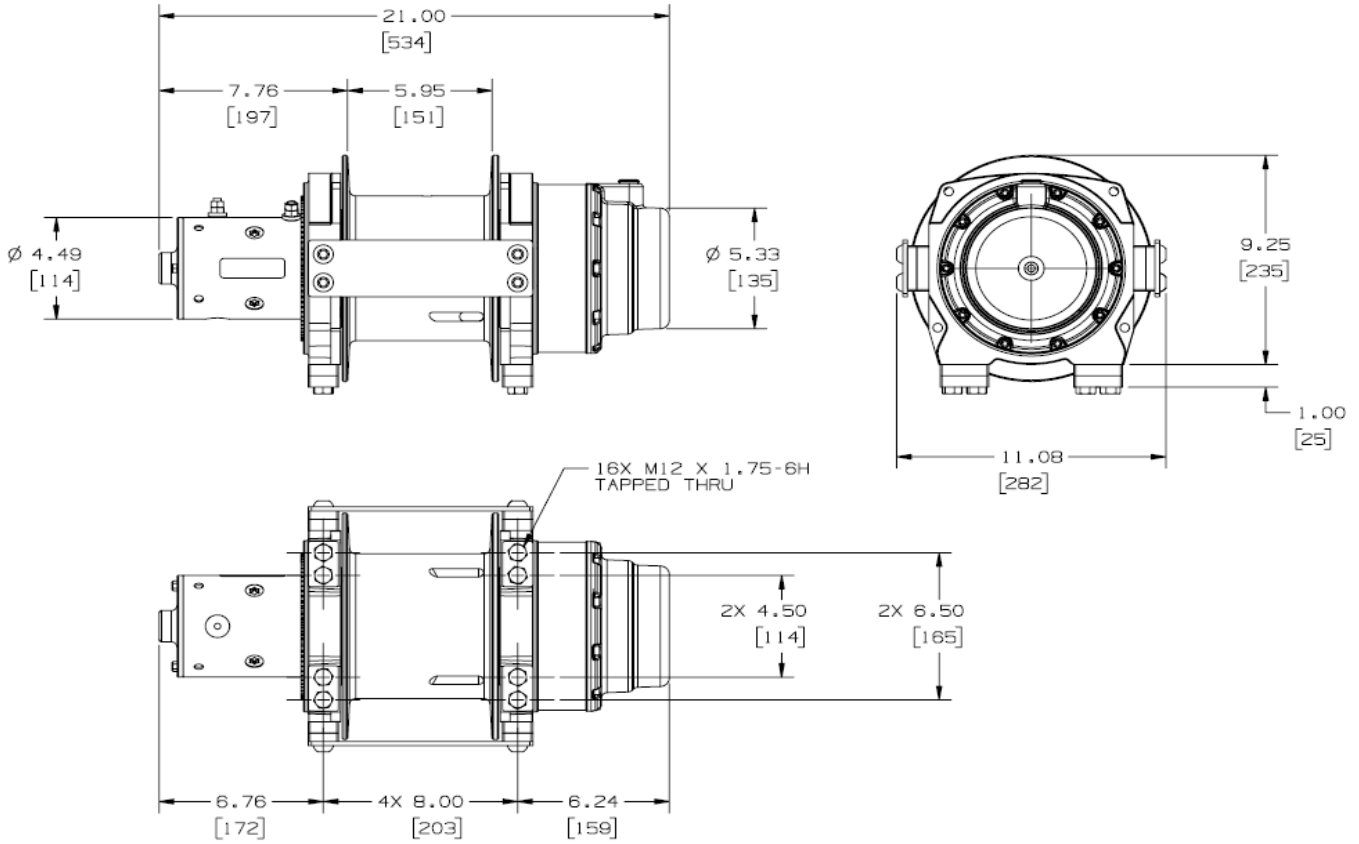
Customer Service (North America): 1.800.543.9276
Customer Service (International): 1.503.722.3008
FAX: 1.503.722.3000 www.warn.com

12900 S.E. Capps Road,
Clackamas, OR USA 97015



WARN Industrial Hoist

Model	Part Number	Motor Type
DC4000	90124	DC Electric 24 Volt Series Wound



Units are given in inches [millimeters], unless otherwise specified

Recommended Mounting (Always Observe Correct Drum Rotation)			Electrical System Specifications
Pull from bottom of hoist Feet down	Pull from bottom of hoist Feet forward	Pull from top of hoist Feet forward	See Electrical Cable Gauge Size Chart for cable sizing All electrical connections must be clean and tight
Pull from top of hoist Feet down without angle brace	Pull from top of hoist Feet down with angle brace	Pull from top of hoist Angle Braces Only	Electrical System Wiring Schematic Hoist provided without electrical controls. See accessories on front page for control kits. Use of a dynamic braking contactor is recommended with series wound motor hoists. Power IN (Hoisting)- Connect motor terminal F2 to positive. Connect motor terminal F1 to motor terminal A. Connect motor ground point to negative (Ground). Power OUT (Lowering)- Connect motor terminal F1 to positive. Connect motor terminal F2 to motor terminal A. Connect motor ground point to negative (Ground).
Notes:			

WARN INDUSTRIES, INC
Industrial Products

Customer Service (North America): 1.800.543.9276
 Customer Service (International): 1.503.722.3008
 FAX: 1.503.722.3000 www.warn.com

12900 S.E. Capps Road,
Clackamas, OR USA 97015