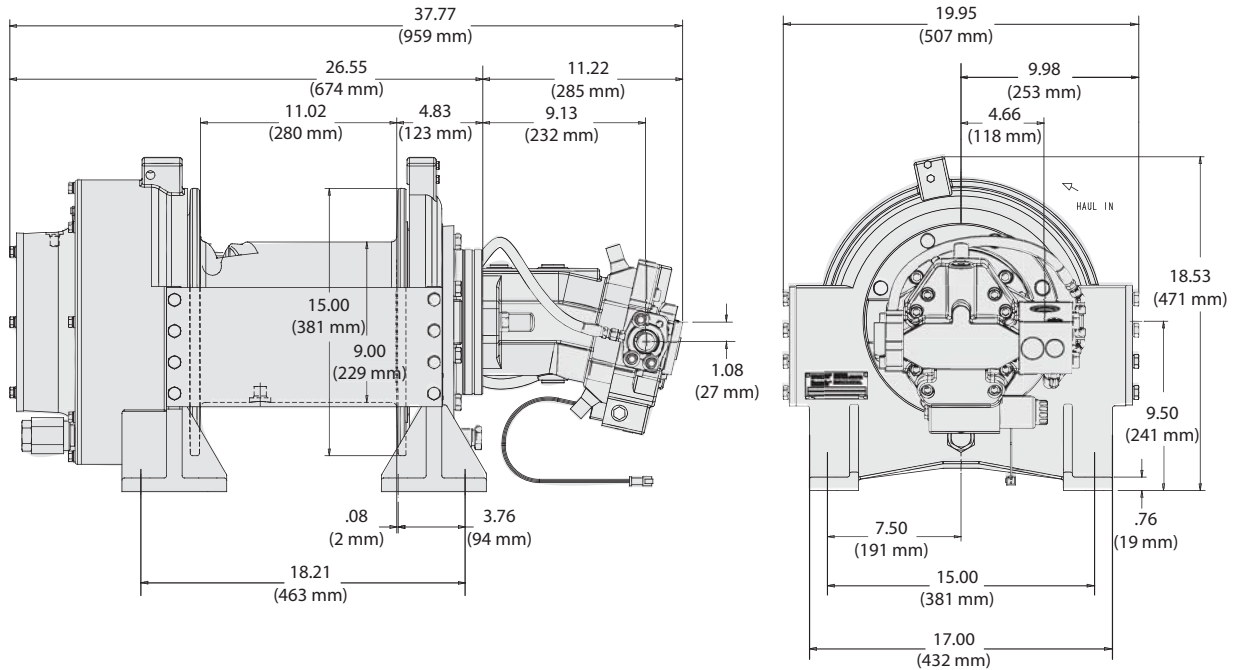


## MODEL HRD40A

Up To 40,000-POUND LINEPULL



- 40,000 lb. (18,144 kg) First-layer line pull
- 69:1 or 99:1
- Sprag Clutch
- Optional Free Spool
- Ferrule Pocket
- SAE Motors
- Weight 688 lb (312 kg)

### Specifications

#### HRD 99V049/24-04 FS - LOW SPEED

4.88 cu in. Motor (88.0 cc)  
3010 PSI (207 bar) @ 42 gpm (158.9 lpm)  
Wire Rope Diameter: 3/4 in. (19 mm)

	LINE PULL		LINE SPEED		ROPE CAPACITY	
	LB	KG	FPM	MPM	FT	M
1	40,000	18,144	48	15	33	10
2	34,660	15,721	55	17	71	21
3	30,590	13,875	63	19	115	35
*4	27,370	12,415	70	21	164	49

\*Last legal layer per ANSI is 3.

#### HRD 99V049/24-04 VS - HIGH SPEED

2.45 cu in. Motor (40.1 cc)  
3008 PSI (207 bar) @ 42 gpm (158.9 lpm)  
Wire Rope Diameter: 3/4 in. (19 mm)

	LINE PULL		LINE SPEED		ROPE CAPACITY	
	LB	KG	FPM	MPM	FT	M
1	18,750	8,505	97	30	33	10
2	16,250	7,371	112	34	72	21
3	14,340	6,504	127	39	115	35
*4	12,830	5,819	142	43	164	49