



WARN Industrial Hoist

Model

DC3000

Part Number

85252

Motor Type

DC Electric
24 Volt
Series Wound

The DC3000 hoist combines a powerful series wound DC motor with robust sealing and our proven 3-stage all metal geartrain. Permanent grease lubrication means years of trouble free service. All WARN hoists incorporate an automatic mechanical brake that holds full rated load. The durable powder coated finish stands up to the elements and looks great. The DC3000 hoist is built on WARN's robust large frame design with a cast aluminum drum to provide plenty of wire rope capacity. Controls and accessories available separately.



Accessories

Description:	Part Number
Control Pack-24V	39603
Contactors Only-24V (Standard bracket)	34970
Contactors Only-24V (w/ bracket for cover)	34976
Contactors Cover (with remote plug)	36648
Contactors Cover (no plug)	35169
Remote Control Only	88528

*12 volt model shown in photo

Engineering Data

Rated Capacity:	3000 lbf	1361 kgf
Drum Barrel Diameter:	5.31 in	135 mm
Drum Flange Diameter:	8.9 in	226 mm
Distance Between Flanges:	5.94 in	151 mm
Recommended Maximum Wire Rope Diameter:	5/16 in	7.9 mm
Recommended Minimum Wire Rope Breaking Strength:	10540 lbf	4781 kgf
Approximate Shipping Weight:	83.0 lb	37.6 kg
Duty Cycle (intermittent per SAE J706 section 6.2):	N/A ft	N/A m
Mounting Bolt Torque:	35 - 40 ft*lbf	47 - 54 N*m
Maximum Layers of Wire Rope:	4	
Gear Reduction:	199	
Brake Type:	Automatic Disc	
Contactors/Remote Type:	Not Included	

Drum Rotation



Viewed from Motor End

Standards Compliance

1. - CE Machinery Directive 98/37/EC and 2006/42/EC
2. - CE Electromagnetic Compatibility 2004/108/EC
3. - ASME B30.5

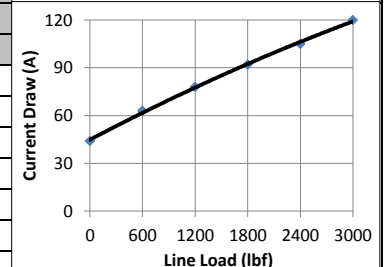
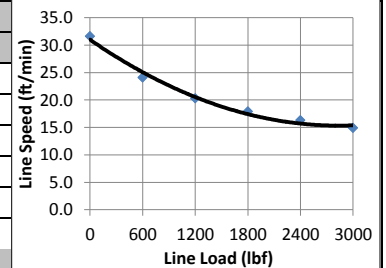
Performance By Layer

Drum Layer	Line Load *			No Load Line Speed		Drum Capacity	
	lbf	kgf	kN	ft/min	m/min	ft	m
1	3000	1361	13.3	31.6	9.6	25	7.6
2	2700	1225	12.0	35.1	10.7	54	16.5
3	2454	1113	10.9	38.6	11.8	85	25.9
4	2250	1021	10.0	42.1	12.8	119	36.3

* Never exceed the Rated Capacity. Installation of a Rated Capacity Limiter is recommended.

First Layer Performance

Line Load		Current Draw	Line Speed		Duty Cycle
lbf	kgf	Amps	ft/min	m/min	min/10min
0	0	44	31.6	9.6	6.8
600	272	63	24.1	7.3	3.9
1200	544	78	20.3	6.2	3.0
1800	816	92	17.9	5.5	2.4
2400	1089	105	16.3	5.0	2.0
3000	1361	120	14.9	4.5	1.8



WARN INDUSTRIES, INC
Industrial Products

Customer Service (North America): 1.800.543.9276
Customer Service (International): 1.503.722.3008
FAX: 1.503.722.3000 www.warn.com

12900 S.E. Capps Road,
Clackamas, OR USA 97015



WARN Industrial Hoist

Model

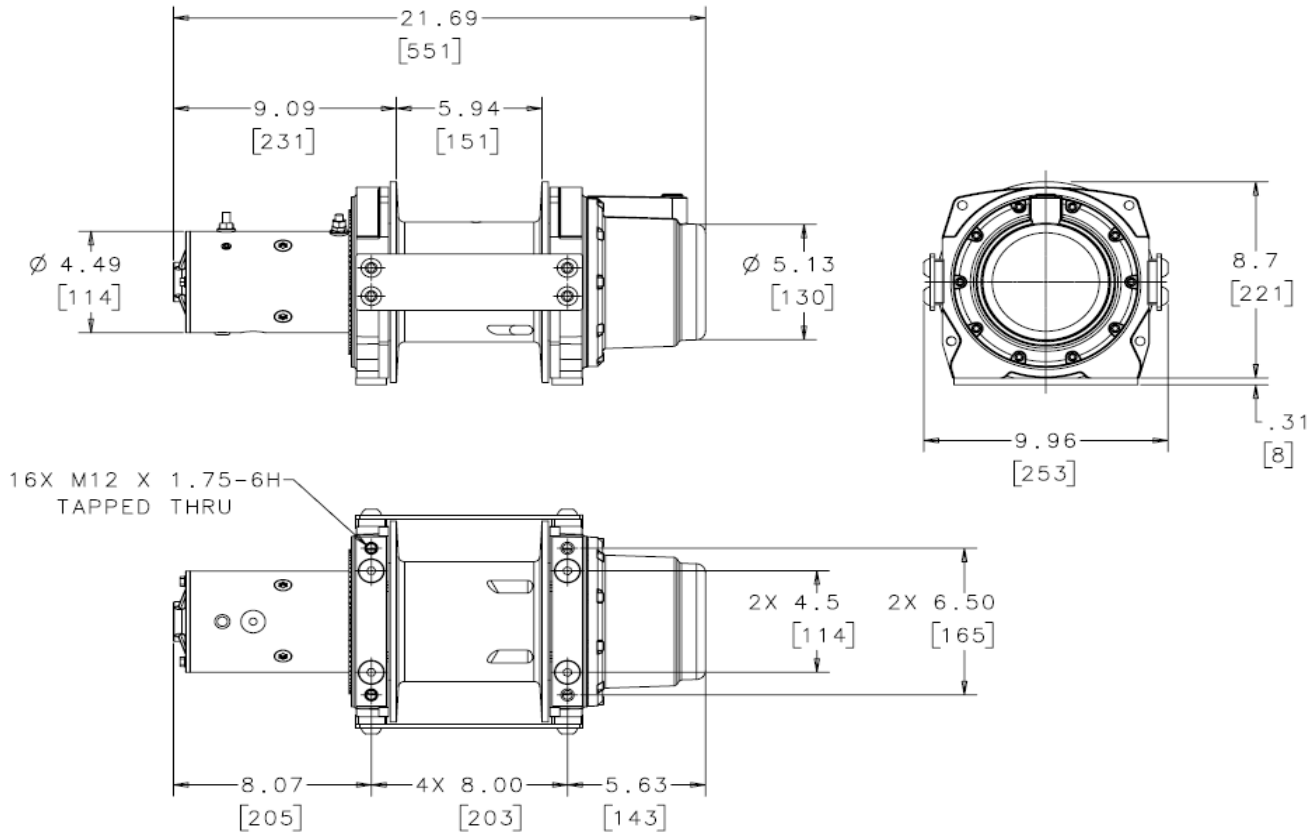
DC3000

Part Number

85252

Motor Type

DC Electric
24 Volt
Series Wound



16X M12 X 1.75-6H
TAPPED THRU

Units are given in inches [millimeters], unless otherwise specified

Recommended Mounting (Always Observe Correct Drum Rotation)

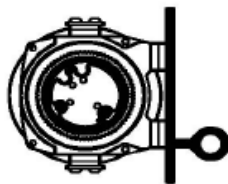
Electrical System Specifications

Pull from bottom of hoist



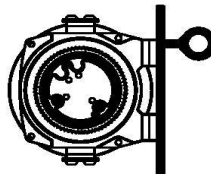
Feet down

Pull from bottom of hoist



Feet forward

Pull from top of hoist



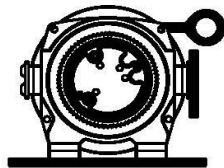
Feet forward

Pull from top of hoist



Feet down without angle brace

Pull from top of hoist



Feet down with angle brace

Pull from top of hoist



Angle Braces Only

See Electrical Cable Gauge Size Chart for cable sizing

All electrical connections must be clean and tight

Electrical System Wiring Schematic

Hoist provided without electrical controls. See accessories on front page for control kits. Use of a dynamic braking contactor is recommended with series wound motor hoists.

Power IN (Hoisting)- Connect motor terminal F2 to positive. Connect motor terminal F1 to motor terminal A. Connect motor ground point to negative (Ground).

Power OUT (Lowering)- Connect motor terminal F1 to positive. Connect motor terminal F2 to motor terminal A. Connect motor ground point to negative (Ground).

Notes:

WARN INDUSTRIES, INC
Industrial Products

Customer Service (North America): 1.800.543.9276
Customer Service (International): 1.503.722.3008
FAX: 1.503.722.3000 www.warn.com

12900 S.E. Capps Road,
Clackamas, OR USA 97015