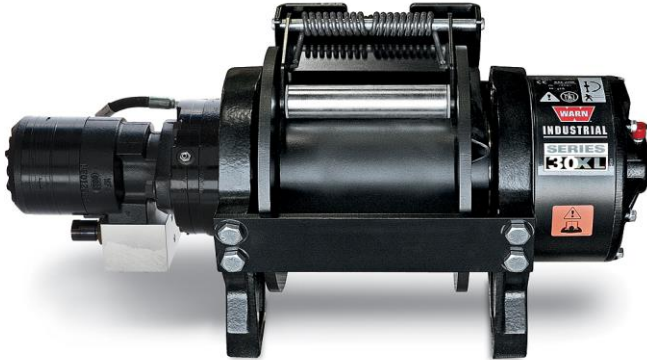




WARN Industrial Winch

Model	Part Number	Motor Type
Series 30XL Hydraulic Winch Air Clutch	77900	Hydraulic 10.4 ci (170cc)



The Warn Series XL product line combines durable cast iron construction, high efficiency hydraulic motor, and a robust 2X rated load braking system with a permanently lubricated and hardened 2-stage planetary gear train for superior intermittent-duty performance for loads up to 30,000 lbs. Winches are also available with manual or air clutches and 2 drum widths. A roller tension plate is standard along with bi-directional operation and a variety of mounting options to fit a variety of applications.

Warn Series XL winches are not suitable for hoisting applications or movement of persons.

Accessories

Description:	Part Number
Fairlead SRS-XL-STD	77532
Wire Rope Assembly 5/8"x140' EIPS	77453
Snatch Block XL-60K LB	80858

Engineering Data			
Rated Pulling Force:	30000	lbf	13608 kgf
Drum Barrel Diameter:	6.25	in	159 mm
Drum Flange Diameter:	13.50	in	343 mm
Distance Between Flanges:	8.0	in	203 mm
Recommended Maximum Wire Rope Diameter:	5/8	in	15.9 mm
Recommended Minimum Wire Rope Breaking Strength:	41200	lbf	18688 kgf
Approximate Shipping Weight:	322	lb	146 kg
Duty Cycle (intermittent per SAE J706 section 6.2):	1000	ft	304.8 m
Mounting Bolt Torque:	159	ft*lb	216 N*m
Maximum Layers of Wire Rope:	5		
Gear Reduction:	36:1		
Brake Type:	Spring Applied Disk		
Contactor / Remote Type:	N/A		

Drum Rotation

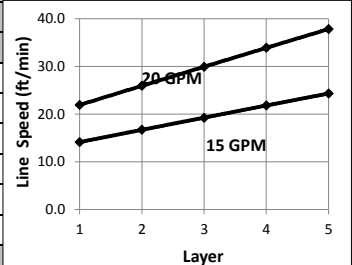
Viewed from Motor End

Standards Compliance

- SAE J706
- CE Machinery Directive 98/37/EC and 2006/42/EC

Performance By Layer- 5/8" (15.9 mm) dia. rope

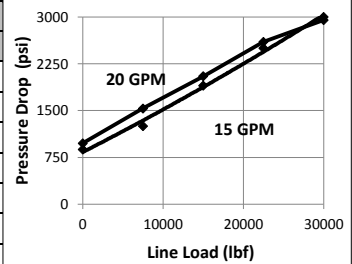
Drum Layer	Line Load *			Line Speed 15 GPM		Line Speed 20 GPM		Drum Capacity	
	lbf	kgf	kN	ft/min	m/min	ft/min	m/min	ft	m
1	30000	13608	133.4	14.1	4.3	21.9	6.7	20	6.1
2	25385	11514	112.9	16.7	5.1	25.9	7.9	44	13.4
3	22000	9979	97.9	19.2	5.9	29.9	9.1	72	21.9
4	19412	8805	86.3	21.8	6.6	33.9	10.3	104	31.7
5	17368	7878	77.3	24.3	7.4	37.8	11.5	140	42.7



* Never exceed the Rated Pulling Force. Installation of a Rated Capacity Limiter is recommended.

First Layer Performance

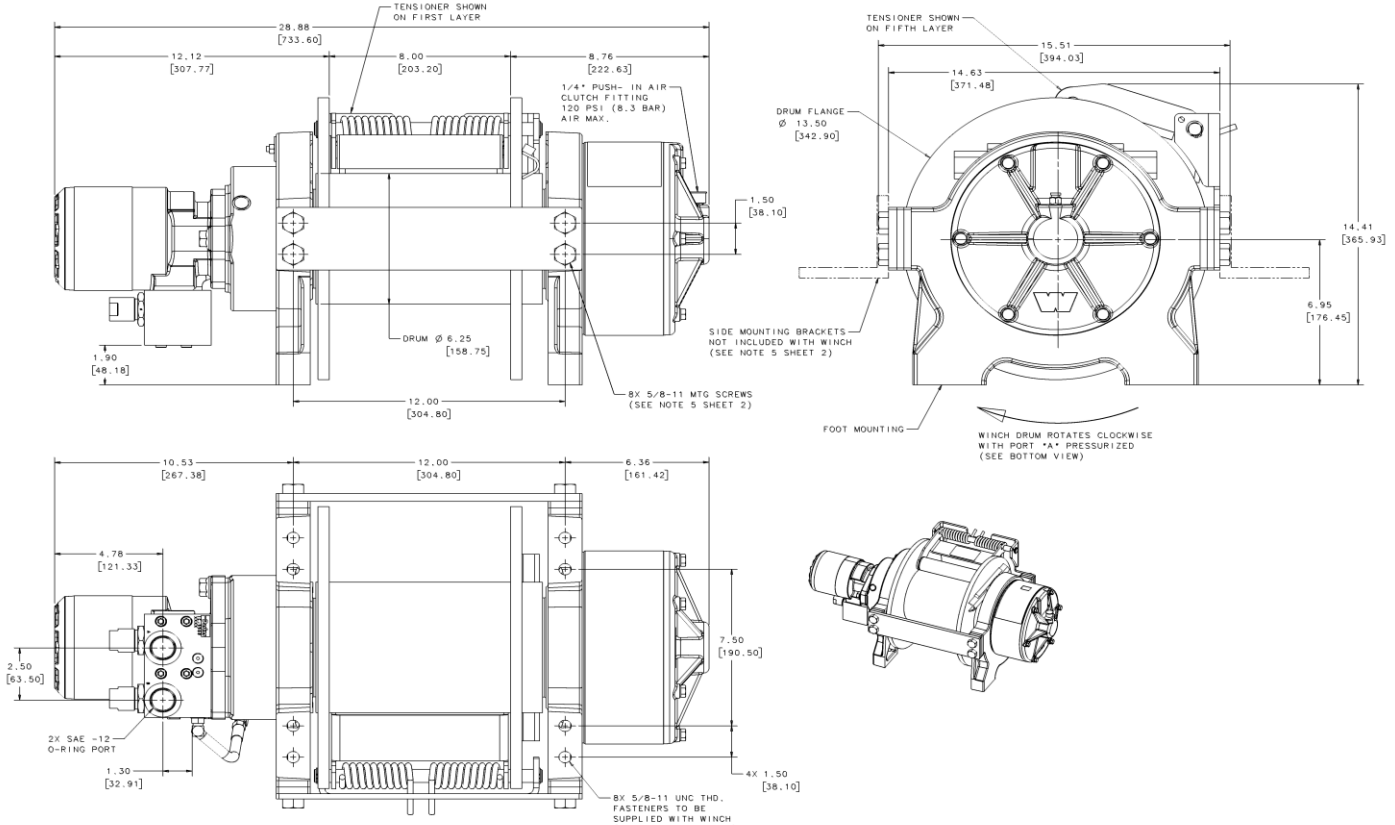
Line Load		Pressure Drop at 15 GPM		Pressure Drop at 20 GPM		Duty Cycle
lbf	kgf	psi	BAR	psi	BAR	min/10min
0	0	875	60.3	975	67.2	N/A
7500	3402	1250	86.2	1533	105.7	N/A
15000	6804	1900	131.0	2050	141.3	N/A
22500	10206	2500	172.4	2600	179.3	N/A
30000	13608	3000	206.8	2950	203.4	N/A





WARN Industrial Winch

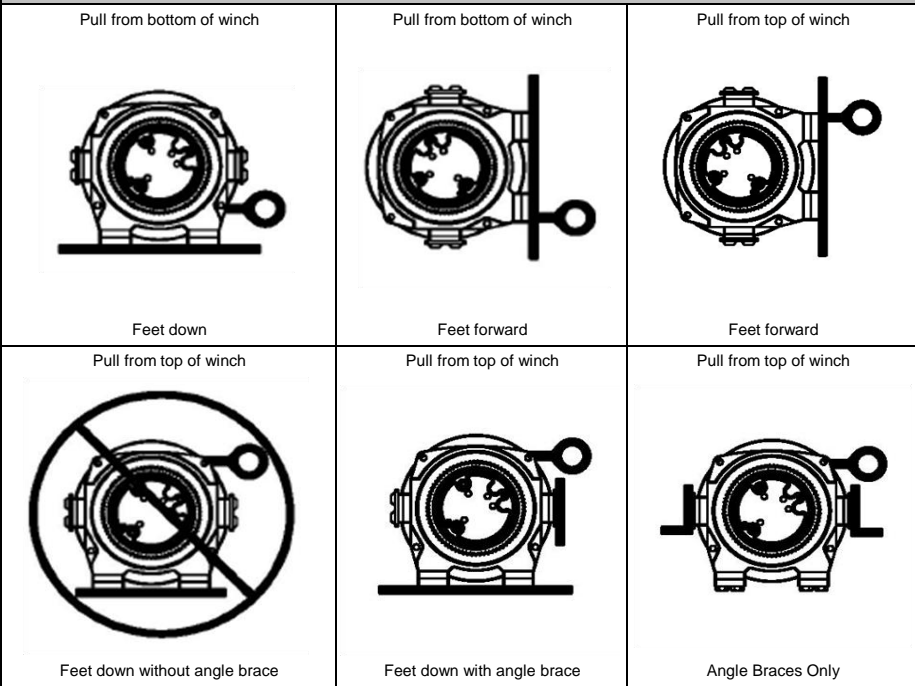
Model	Part Number	Motor Type
Series 30XL Hydraulic Winch Air Clutch	77900	Hydraulic 10.4 ci (170cc)



motor / Contactor may be rotated in 30 degree increments. Clutch housing may be rotated in 90 degree increments.

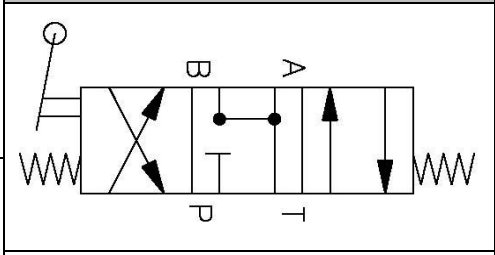
Units are given in inches [millimeters], unless otherwise specified

Recommended Mounting- Always Observe Correct Drum Rotation			Hydraulic System Specifications		
--	--	--	---------------------------------	--	--



Maximum System Pressure:	3000 psi	207 BAR
Maximum Motor Pressure Drop:	3000 psi	207 BAR
Maximum Rated Input Flow:	20 GPM	76 LPM
Control Valve Type:	3-position, 4-way, open center, spring return (motor spool)	

Control Valve Schematic



Note: Drum rotates clockwise with Port A pressurized when viewed from gearbox end.