



# WARN Industrial Winch

Model	Part Number	Motor Type
<b>Series 6-A-30 Hydraulic Winch Manual Clutch</b>	<b>33445</b>	Hydraulic 3.0 ci (50 cc)

The Series 6 hydraulic winch features a 2-stage planetary gear train with a total reduction of 26:1. This winch uses a hardened steel gear train and a rugged automatic double cone brake. Designed to meet SAE J706 and CE standards.



## Accessories

Description:	Part Number
Wire Rope Tension Plate Series 6	34373
Fairlead Chrome 8"	30860
Fairlead Black 8"	24335
Wire Rope Assembly 5/16"x100' EIPS	24900

## Engineering Data

Rated Pulling Force:	6000	lbf	2722	kgf
Drum Barrel Diameter:	2.50	in	64	mm
Drum Flange Diameter:	6.00	in	152	mm
Distance Between Flanges:	8.9	in	226	mm
Recommended Maximum Wire Rope Diameter:	5/16	in	7.9	mm
Recommended Minimum Wire Rope Breaking Strength:	10540	lbf	4781	kgf
Approximate Shipping Weight:	41.5	lb	18.8	kg
Duty Cycle (intermittent per SAE J706 section 6.2):	300	ft	91	m
Mounting Bolt Torque:	20 - 25	ft*lbf	27 - 34	N*m
Maximum Layers of Wire Rope:	4 (with 5/16" dia. rope)			
Gear Reduction:	26:1			
Brake Type:	Automatic Double Cone			
Contactor / Remote Type:	N/A			

## Drum Rotation



Viewed from Motor End

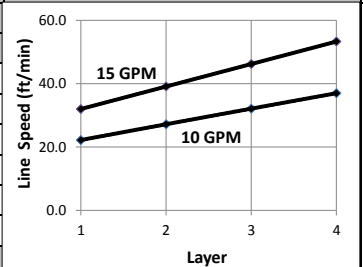
## Standards Compliance

- 1. -SAE J706
- 2. -CE Machinery Directive 98/37/EC and 2006/42/EC

## Performance By Layer- 5/16" (7.9 mm) dia. rope

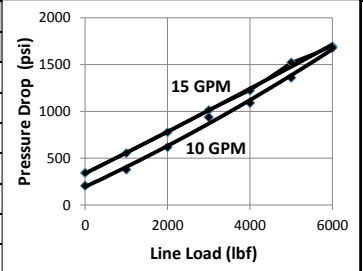
Drum Layer	Line Load *			Line Speed 10 GPM		Line Speed 15 GPM		Drum Capacity	
	lbf	kgf	kN	ft/min	m/min	ft/min	m/min	ft	m
1	6000	2722	26.7	22.2	6.8	32.0	9.8	18	5.5
2	4909	2227	21.8	27.2	8.3	39.1	11.9	41	12.5
3	4153	1884	18.5	32.1	9.8	46.2	14.1	68	20.7
4	3600	1633	16.0	37.0	11.3	53.3	16.2	99	30.2

\* Never exceed the Rated Pulling Force. Installation of a Rated Capacity Limiter is recommended.



## First Layer Performance

Line Load		Pressure Drop at 10 GPM		Pressure Drop at 15 GPM		Duty Cycle
lbf	kgf	psi	BAR	psi	BAR	min/10min
0	0	206	14.2	343	23.6	N/A
1000	454	378	26.1	553	38.1	N/A
2000	907	618	42.6	777	53.6	N/A
3000	1361	938	64.7	1013	69.8	N/A
4000	1814	1090	75.2	1222	84.3	N/A
5000	2268	1360	93.8	1522	104.9	N/A
6000	2722	1680	115.8	1693	116.7	N/A



**WARN INDUSTRIES, INC**  
Industrial Products

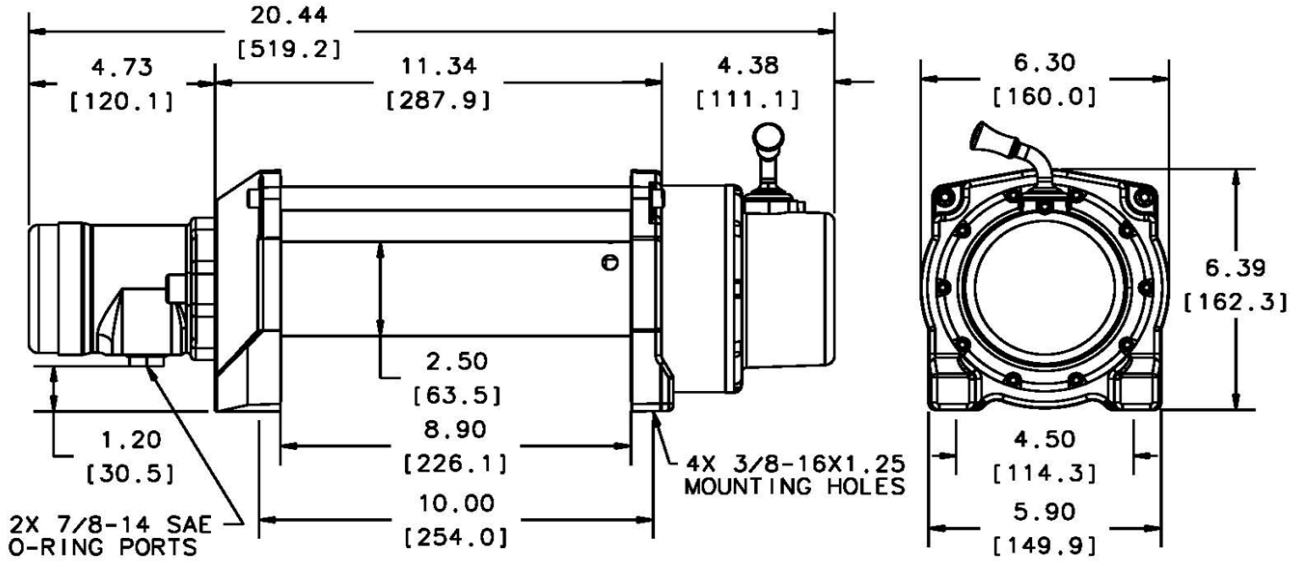
Customer Service (North America): 1.800.543.9276  
Customer Service (International): 1.503.722.3008  
FAX: 1.503.722.3000 www.warn.com

12900 S.E. Capps Road,  
Clackamas, OR USA 97015



# WARN Industrial Winch

Model	Part Number	Motor Type
Series 6-A-30 Hydraulic Winch Manual Clutch	33445	Hydraulic 3.0 ci (50 cc)



Motor / Contactor may be rotated in 180 degree increments. Clutch housing may be rotated in 72 degree increments.

Units are given in inches [millimeters], unless otherwise specified

Recommended Mounting- Always Observe Correct Drum Rotation			Hydraulic System Specifications		
Pull from bottom of winch	Pull from bottom of winch	Pull from top of winch	Maximum System Pressure:	2200 psi	152 BAR
			Maximum Motor Pressure Drop:	1693 psi	117 BAR
Feet down	Feet forward	Feet forward	Maximum Rated Input Flow:	15 GPM	57 LPM
Pull from top of winch			Control Valve Type:	3-position, 4-way, closed center, spring return (cylinder spool)	
			<b>Control Valve Schematic</b>		
Feet down without angle brace					
			Note: Drum rotates clockwise with Port A pressurized when viewed from gearbox end.		

**WARN INDUSTRIES, INC**  
Industrial Products

Customer Service (North America): 1.800.543.9276  
Customer Service (International): 1.503.722.3008  
FAX: 1.503.722.3000 www.warn.com

12900 S.E. Capps Road,  
Clackamas, OR USA 97015