

HYDRAULIC FILTERS

PRESSURE AND RETURN LINE STYLE



CLEANER HYDRAULIC SYSTEMS REDUCE CONTAMINATION

Muncie Power's hydraulic filters reduce contamination related failures and equipment down time by ensuring cleaner hydraulic systems. We offer both nominal and absolute filtration with flow rates up to 100 GPM.



STANDARD MODEL SPECIFICATIONS

MODEL NUMBER	MODEL STYLE	MEDIA TYPE	MICRON RATING	BYPASS SETTING	PORT TYPE	PORT SIZE	GAUGE NO.*	REPLACEMENT ELEMENT
RETURN LINE								
RLF*-25	A	C	10	25	NPT (2)	-16	FG-4	RE-25
RLF*-501	B	C	10	25	NPT (2)	-20	FG-4	RE-501
RLF*-100	C	C	10	25	NPT (2)	-24	FG-4	RE-501
RLF*-101	C	C	25	25	NPT (2)	-24	FG-4	RE-101
RLF*-241-L10G25P66	A	G	10	25	NPT (2)	-16	FG-4	RE-241L10G
RLF*-501-L10G25P77	B	G	10	25	NPT (2)	-20	FG-4	RE-501L10G
TANK TOP RETURN LINE								
TRLF*-501	E	C	10	25	NPT (2)	-20	FG-4	TRE-501
TRLF*-503	E	C	10	15	ODT (1)	-20	FG-3	TRE-501
TRLF*-503-10G25S77	E	G	10	25	ODT (1)	-20	FG-4	TRE-50110G
49T37524	E	C	10	25	ODT (2)	-20/24	FG-4	TRE-503(2)
PRESSURE LINE								
PLFR-451-10C50S55**	D	C	10	50	ODT (2)	-12	NA	PRE-45110C
PLFR-451-10C50S66**	D	C	10	50	ODT (2)	-16	NA	PRE-45110C

* Add letter "G" to model number to include gauge. All gauge ports are 1/8 NPT.

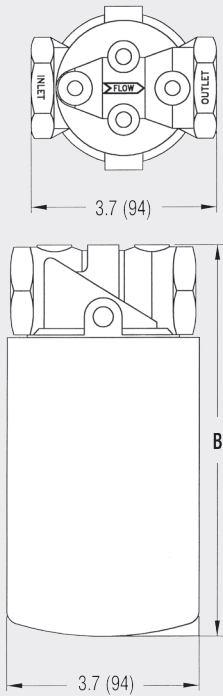
** Requires two mounting kits: PLFR-451-MK.

Note: Optional electrical indicator switch PM-515A (20 PSI) can be used in place of visual indicator FG-4. Does not include wiring or panel light.

STANDARD MODEL STYLES

STYLE A

IN (MM)



Models

RLF*-25
RLF*-241-L***

Dim B

07.2 (183)
10.2 (259)

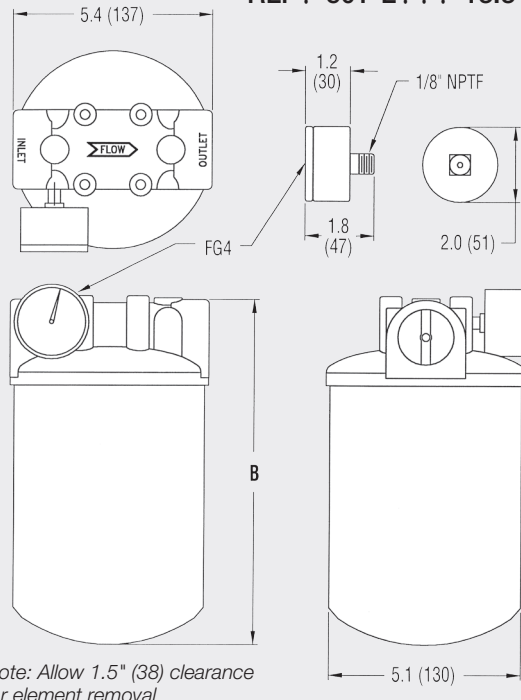
Note: Elements will not interchange between the two models



Note: Allow .63" (16) clearance for element removal

STYLE B

IN (MM)



Models

RLF*-501
RLF*-501-L***

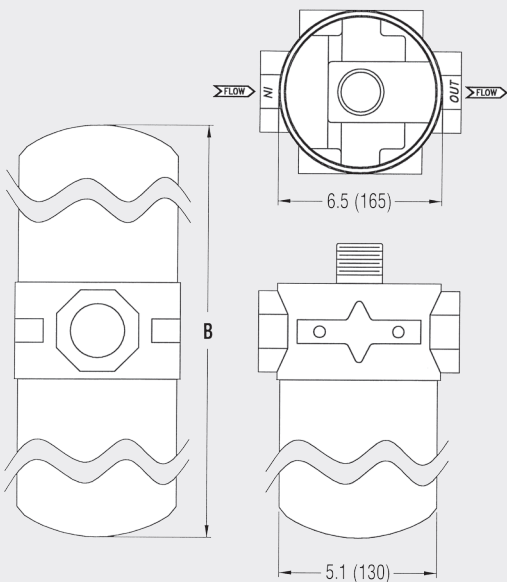
Dim B

09.3 (236)
13.3 (338)

Note: Allow 1.5" (38) clearance for element removal

STYLE C

IN (MM)



Models

RLF*-100
RLF*-101
RLF*-100-L***

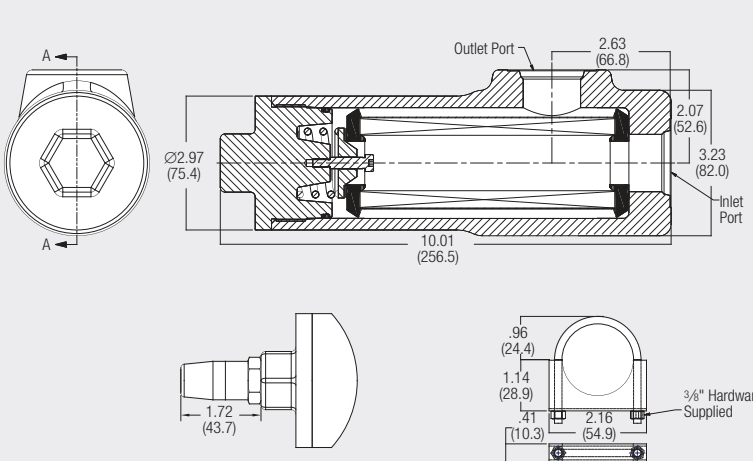
Dim B

17 (432)
25 (635)
25 (635)

Note: Allow 1.5" (38) clearance for element removal

STYLE D

IN (MM)



Model

PLFR-451-***

Optional visual indicator (50 PSI differential)

*"U-Bolt" Mounting Kit, Part Number: PLFR-451-MK (2 required)

STANDARD MODEL STYLES (CONT)

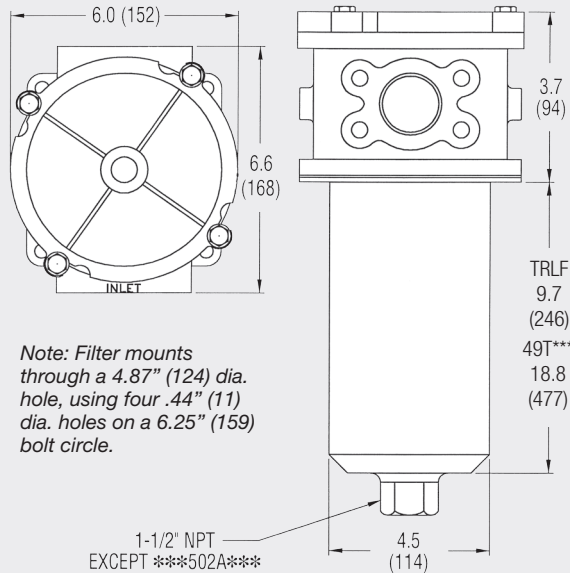
STYLE E

IN (MM)

Models

TRLF*-50*-***

49T37524



Note: Filter mounts through a 4.87" (124) dia. hole, using four .44" (11) dia. holes on a 6.25" (159) bolt circle.

Note: Allow 9.0" (229) clearance for element removal

MODEL NUMBER CONSTRUCTION

TRLF-G-50-1-L 10-G-25-P-7-7

Product Style

Return line, spin on — RLF
 Tank top, return, drop in element — TRLF
 Pressure line, drop in element — PLFR

Condition Indicator*

Analog gauge (colors) — G

Series (Max Flow Capacity)

024 GPM Max —024 045 GPM Max —045
 025 GPM Max —025 050 GPM Max —050
 027 GPM Max —027 055 GPM Max —055
 037 GPM Max —037 100 GPM Max —100

Design Number*

First design — 1

Element Length*

Long — L

Micron Rating

10 micron — 10
 25 micron — 25

Port Size (Secondary)

See below

Port Size*

5 — (-12)
 6 — (-16)
 7 — (-20)
 8 — (-24)

Port Type

P — NPT pipe thread
 S — ODT straight thread

Bypass Valve Setting*

15 — 15 PSI
 25 — 25 PSI
 50 — 50 PSI

Media Type

C — Cellulose (paper)
 G — Microglass (300 PSI)

* Delete for none

Note: All microglass media elements carry a Beta Rating of B10 = 75.
 All RLF style filters use spin on style elements. All others use drop in elements.



Member of the Interpump Group
MP15-35 (Rev. 08-17)

201 East Jackson Street • Muncie, Indiana 47305
800-367-7867 • Fax 765-284-6991 • info@munciepower.com • www.munciepower.com

Specifications are subject to change without notice. Visit www.munciepower.com for warranties and literature. All rights reserved. © Muncie Power Products, Inc. (2015)