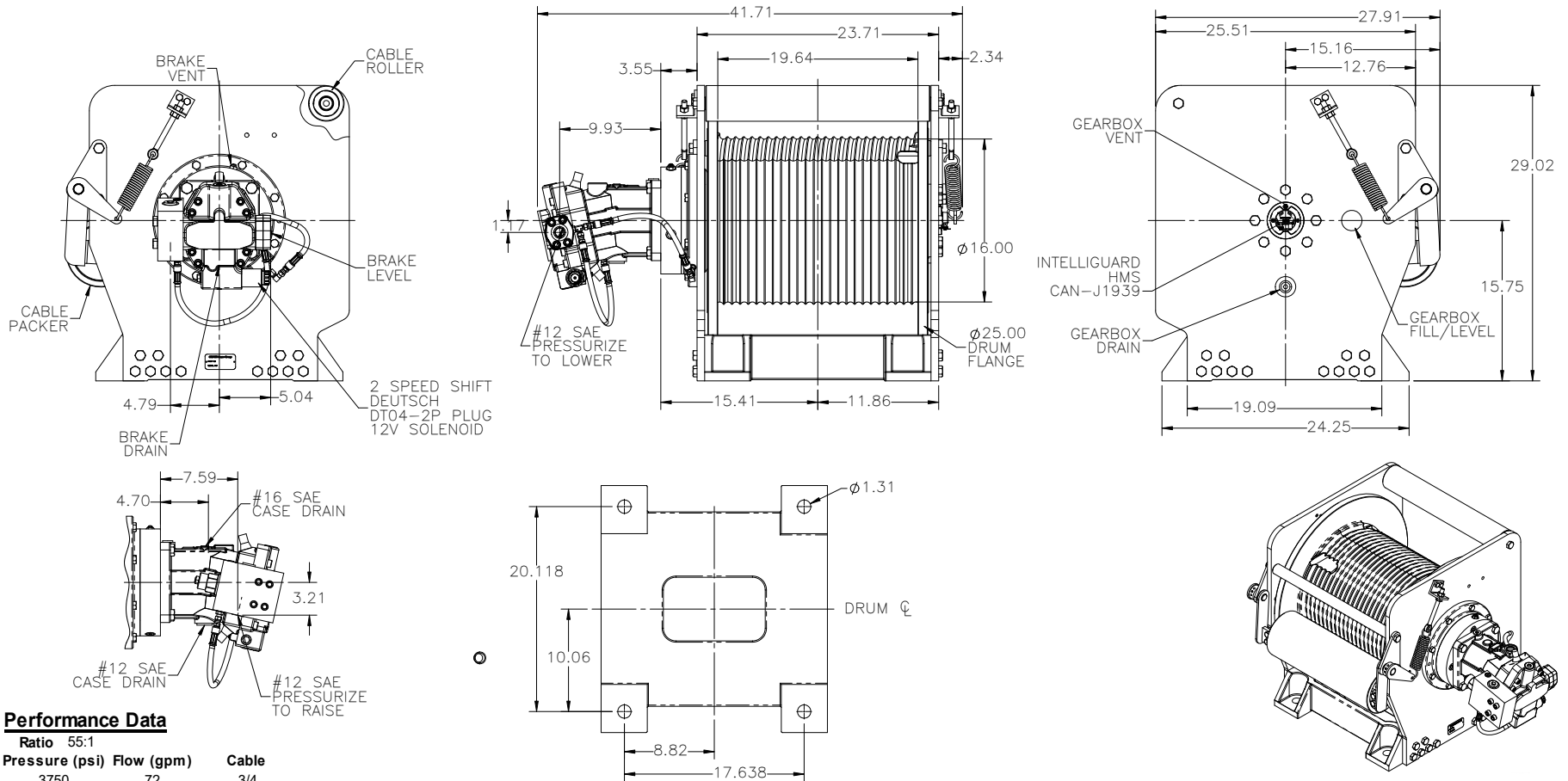


# TH2100-55



**Performance Data**

Ratio 55:1  
 Pressure (psi) 3750  
 Flow (gpm) 72  
 Cable 3/4"

Layer	Low Speed				High Speed				Rope Capacity	
	Line Pull lb	Line Pull kN	Line Speed fpm	Line Speed mpm	Line Pull lb	Line Pull kN	Line Speed fpm	Line Speed mpm		
1	21000	93.4	178	54.1	10556	47.0	355	108.2	117	36
2	19376	86.2	193	59.0	9688	43.1	387	117.9	244	74
3	17905	79.6	209	63.8	8952	39.8	419	127.6	382	117
4	16641	74.0	225	68.7	8320	37.0	451	137.3	531	162
5	15544	69.1	241	73.5	7772	34.6	482	147.0	689	210