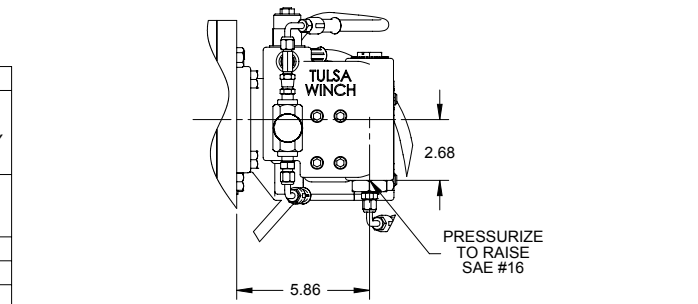
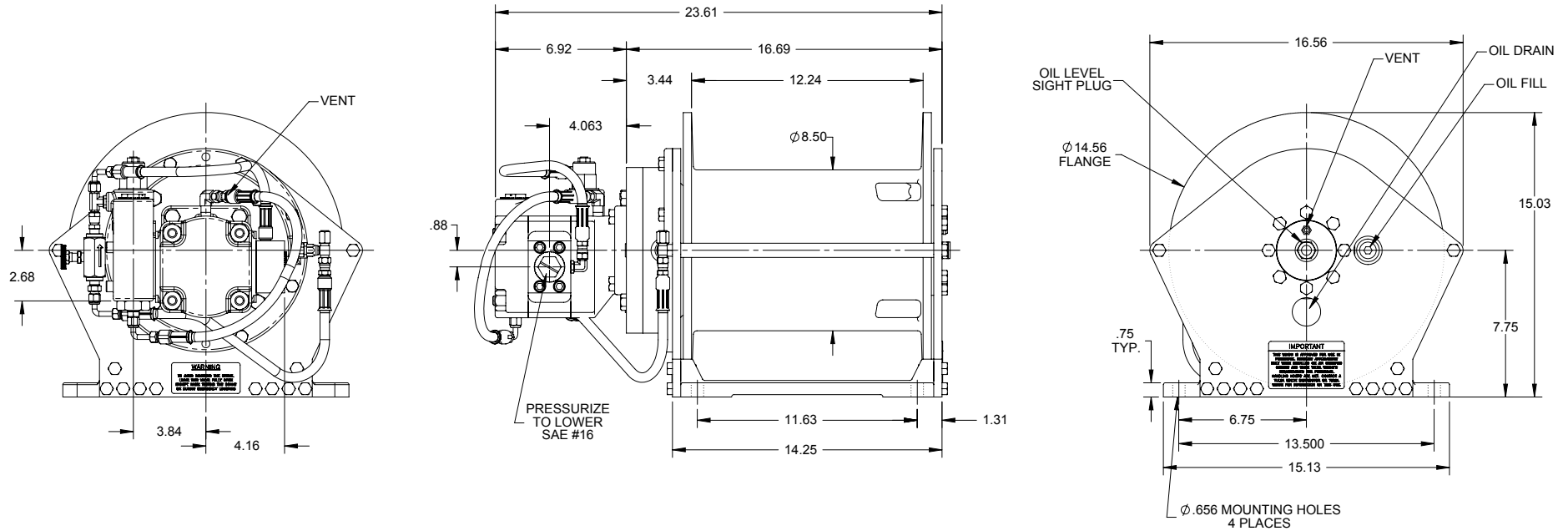


TH800-59



WINCH PERFORMANCE SPECIFICATIONS			
GEAR RATIO	WINCH PERFORMANCE AT		TOTAL
59:1	50 GPM 1900 PSI 2.94 CID		DRUM
			CAPACITY
			(FT)
LAYER	STALL LINE PULL (LBS)	WINCH SPEED (FPM)	$\phi .50$ CABLE
FIRST	8,000	141	57
SECOND	7,231	157	119
THIRD	6,574	172	189
FOURTH	6,026	188	264
FIFTH	5,562	204	346
*SIXTH	5,165	219	434

*THIS LAYER DOES NOT MEET ANSI 30.5 FOR .50" INCH FLANGE FREEBOARD.

PART #: 82279001-API