

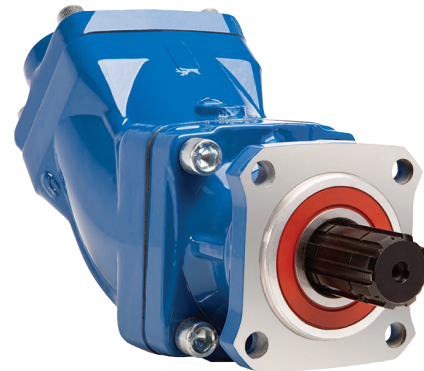
T SERIES

BENT AXIS PISTON PUMP



A fixed displacement bent axis piston pump

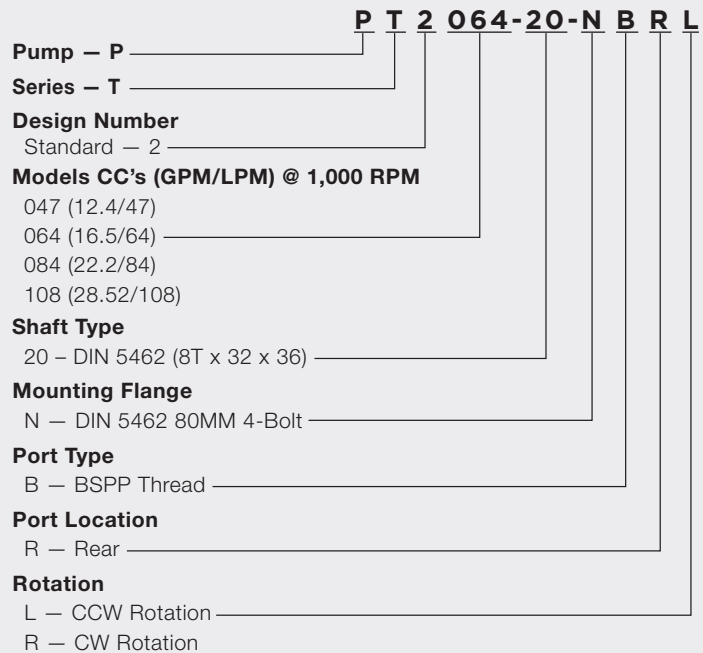
Ultimate power and performance in a small package best describes the fixed displacement T Series bent axis piston pumps. Designed exclusively for high pressure applications, the T Series has a high efficiency and rugged design providing for high performance and extra long life.



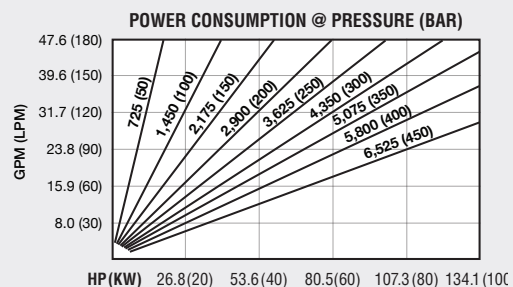
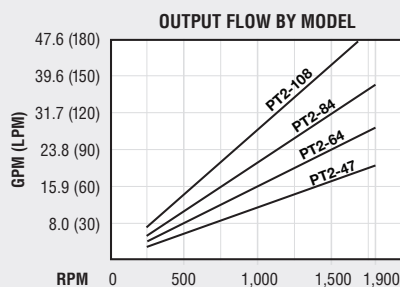
KEY FEATURES

- Four standard sizes 11-12 GPM (43-80 LPM)
- Pressures to 6,525 PSI (450 BAR) continuous duty
- Speeds to 1,900 RPM
- Double shaft seals
- BSPP straight thread
- DIN 5462 4-bolt shaft and flange
- Small lightweight design
- Full one-year warranty
- Complimentary mounts are available on most Muncie Power PTO series

MODEL NUMBER CONSTRUCTION



PUMP PERFORMANCE



PISTON PUMP SPECIFICATIONS

MODEL NO.	DISPLACEMENT CU IN (CC)	MAX RPM	MIN RPM	MAX PSI (BAR)	MAX INLET VACUUM	APPROX. WEIGHT LBS.(KG)	PORTS	
							INLET (BSPP)	OUTLET (BSPP)
PT2-047	2.87 (47)	1,900	300	6,525 (450)	6 in.Hg. (.20 BAR)	23.1 (10.5)	1	¾
PT2-064	3.91 (64)	1,900	300	6,525 (450)	6 in.Hg. (.20 BAR)	29.8 (13.5)	1¼	1
PT2-084	5.13 (84)	1,600	300	5,800 (400)	6 in.Hg. (.20 BAR)	29.8 (13.5)	1¼	1
PT2-108	6.59 (108)	1,500	300	5,075 (350)	6 in.Hg. (.20 BAR)	29.8 (13.5)	1¼	1

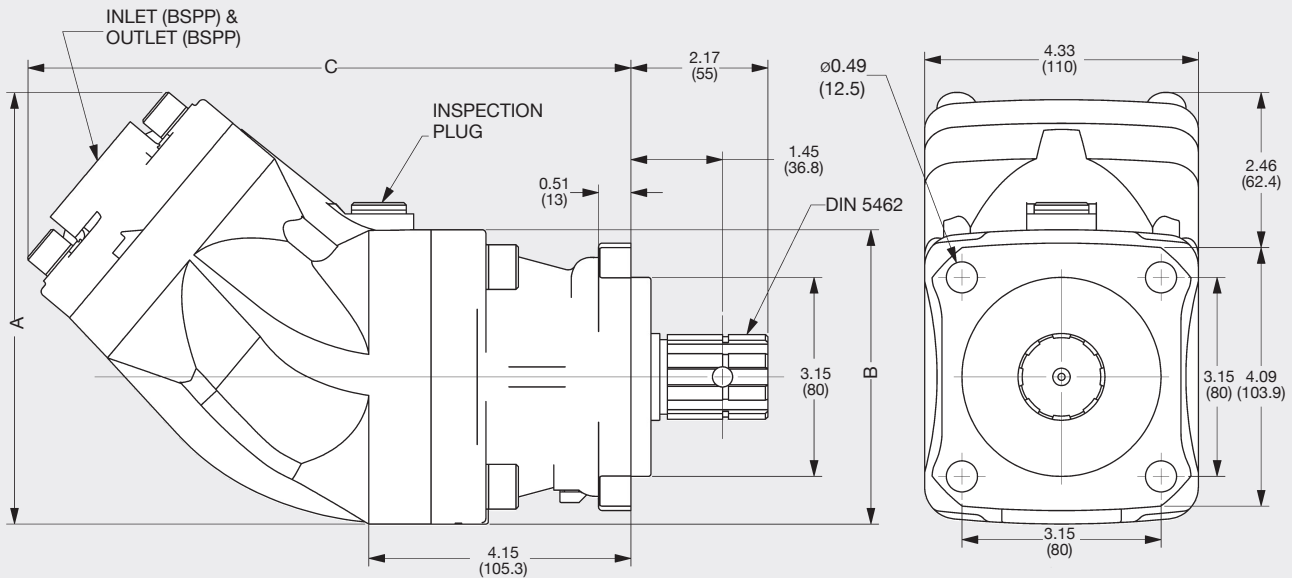
Maximum Oil Temperature: 180°F (82°C). **Note:** 10 Micron return line filtration recommended.
Recommended Oil Viscosity: 78-220 SUS (15-46 cSt), 5,000 SSU (1,000 cSt) max. startup

OPTIONAL FITTINGS

Optional low pressure and high pressure fittings provided for easy connection to typical North American hoses and thread types.

MODEL NO.	DESCRIPTION	MODEL NO.	DESCRIPTION
R4BP45-24-16B	1½" hose barb, 45°, to 1" male BSPP, swivel	BP-MJ90-12-16P	¾" mail BSPP, 90°, to -16 male JIC
R4BP45-32-20B	2" hose barb, 45°, to 1¼" male BSPP, swivel	BP-MJ-16-12P	1" male BSPP, to -12 male JIC
R4BP90-32-20B	2" hose barb, 90°, to 1¼" male BSPP, swivel	BP-MJ-16-16P	1" male BSPP, to -16 male JIC
HC-32-HD	Heavy duty 2" hose clamp	BP-MJ45-16-16P	1" male BSPP, 45°, to -16 male JIC
BP-MJ-12-12P	¾" mail BSPP, to -12 male JIC	BP-MJ90-16-16P	1" male BSPP, 90°, to -16 male JIC
BP-MJ45-12-12P	¾" mail BSPP, 45°, to -12 male JIC	BP-MJ-20-20P	1¼" male BSPP, to -20 male JIC
PB-MJ90-12-12P	¾" mail BSPP, 90°, to -12 male JIC	BP-FBP-16-20	1" male BSPP, to 1¼" female BSPP

MOUNTING DIMENSIONS



MODEL	DIM A	DIM B	DIM C
47	6.18 (157)	4.21 (107)	8.66 (220)
64, 84, 108	6.81 (173)	4.64 (118)	9.44 (240)

*Torque to 50-55 ft.lbs. for rotation Change.
 Keep port cover flush to body when rotating.



A Member of the Interpump Group
 MP07-05 (Rev. 12-18)

201 East Jackson Street • Muncie, Indiana 47305
 800-367-7867 • Fax 765-284-6991 • info@munciepower.com • www.munciepower.com
 Specifications are subject to change without notice. Visit www.munciepower.com
 for warranties and literature. All rights reserved. © Muncie Power Products, Inc. (2007)