

RAMSEY WINCH

SCH 3600

Ramsey industrial hydraulic service crane hoists are developed to meet a need for increased line speed of crane applications and other industrial uses. Hoists feature single lubricant for all temp ranges and are light weight.



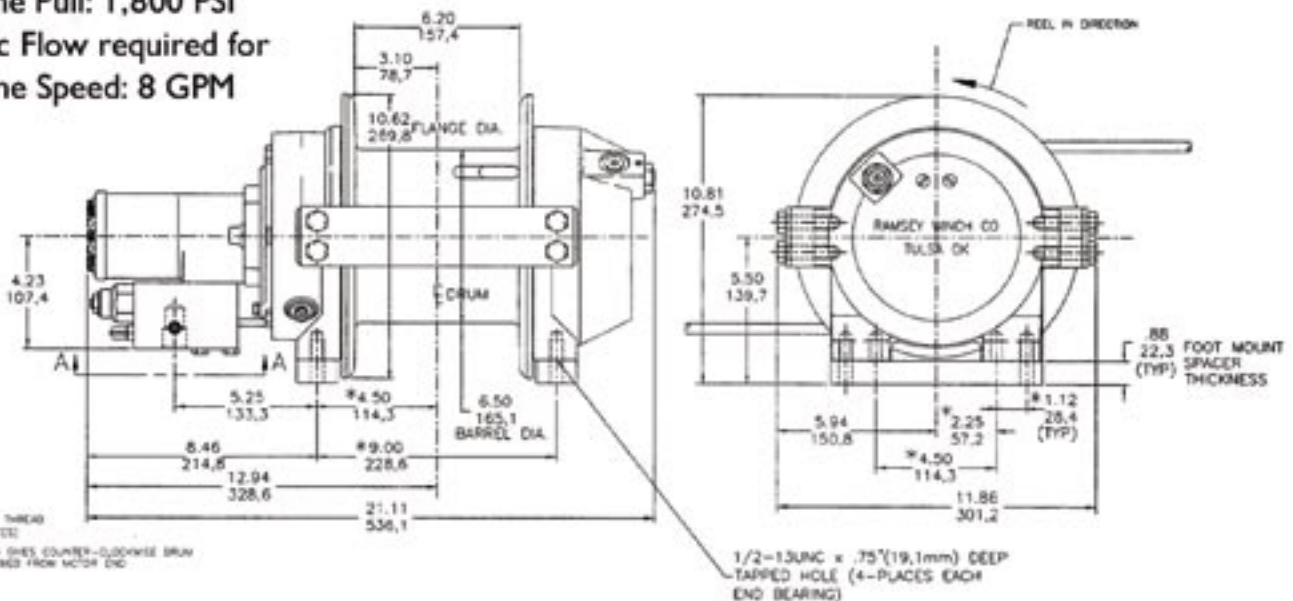
Part Number 123307

Specifications:

- Rated Line Pull: 3,600lbs. (First Layer) (1,630 kgs)
- Gear Reduction Ratio: 5.1:1
- Weight 120 lbs. (55 kgs) without cable
- Recommended Wire Rope Size: 3/8 in.
- Hydraulic Pressure Required for Rated Line Pull: 1,800 PSI
- Hydraulic Flow required for Rated Line Speed: 8 GPM

Layer of Cable

		1	2	3	4
Line Pull	lbs	3600	3200	2900	2700
	kgs	1630	1450	1310	1220
Line Speed	fpm	48	52	56	60
	mpm	14	15.8	17	18.2
Cable Capacity	ft	25	55	85	120
	m	7	16	25	36



*WINCH MOUNTING CAPSCREWS MUST MEET OR EXCEED SAE GRADE 5 SPECIFICATION
NOTE: THESE HOLE LOCATIONS MUST BE HELD WITHIN $\pm 0.5^\circ$ (0.8 MM) OF TRUE POSITION. RECOMMENDED MOUNTING HOLE DIAMETER IS .53\" (13.5 MM).

DIMENSIONS SHOWN ARE INCHES OVER MILLIMETERS