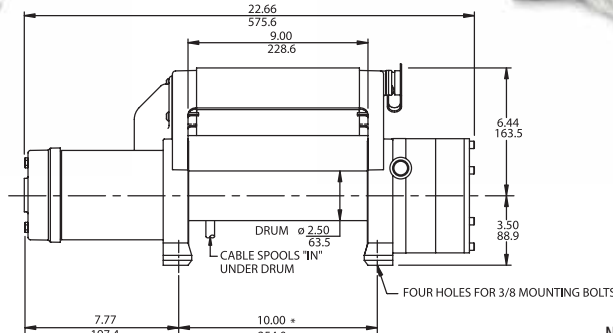


Patriot 9500



Dimensions are the same for Patriot 9500 steel cable and synthetic rope

• MOUNTING BOLT PATTERN: FOUR \varnothing .41 HOLES IN A 10.00±.015 x 4.50±.015 (254.0mm x 114.3mm) RECTANGULAR PATTERN.

Note: Fairlead does not attach directly to winch. Dimensions shown are inches over millimeters.

- Product Features**
- Efficient 5.5 HP 12 V DC series wound electric reversible motor for increased pulling power
 - Proven three-stage planetary gear system design for fast line speed
 - Motor and solenoids are grounded directly to battery
 - Strong automatic load-holding brake for strength
 - Cam action clutch disengages planetary gear system for free spooling
 - Weather resistant integrated solenoid assembly
 - The Patriot Series comes with either a 12 ft pendant or the patented (US # 6,995,682) wireless remote
 - 6 ft (1,83 m) 2 gauge battery cables with connectors
 - 4-way roller fairlead
 - Limited lifetime warranty

Specifications

Rated line pull (single line) 9,500 lb (4,309 kg)
 Gear reduction ratio 138:1 (12 V)
 Motor Series wound - 5.5 hp 12V DC
 Overall dimensions (LxWxH) 22.66" x 6.12" x 9.94"
 (576 mm x 156 mm x 252 mm)
 Drum size Diameter 2.5" (63 mm) Length 9" (228 mm)
 Weight 93 lb (42 kg)
 Cable supplied 105 ft (31.8 m) of 5/16" (8 mm) galvanized aircraft cable with replaceable clevis hook with safety latch
 Mounting bolt pattern 10.00 ± .015 in. x 4.50 ± .015 in. (254.0 mm x 114,3 mm)

Line Speed and Amp Draw – First Layer

Line Pull	lb	kg	no load	2,000	4,000	6,000	8,000	9,500
Line Speed	fpm	mpm	35.4	16.7	12.7	10.6	9.0	7.8
Motor Current	amps	12V	97	180	260	335	395	430

Line Pull and Cable Capacity

Layer of Cable		1	2	3	4	5
Rated Line Pull	lb	9,500	7,780	6,600	5,725	5,050
	kg	4,309	3,528	2,993	2,596	2,290
Cable Capacity per Layer	ft	15	35	60	90	105
	m	4	10	18	27	36

- Patriot 9500 R 12V with 12 ft pendant. **Part# 109153**
- Patriot 9500 R 12V with wireless remote. **Part# 109154**
- Patriot 9500 R 24V with 12 ft pendant. **Part# 109171**
- R - 4-way roller fairlead

Specifications

Rated line pull (single line) 9,500 lb (4,309 kg)
 Gear reduction ratio 138:1 (12 V)
 Motor Series wound - 5.5 hp 12V DC
 Overall dimensions (LxWxH) 22.66" x 6.12" x 9.94"
 (576 mm x 156 mm x 252 mm)
 Drum size Diameter 2.5" (63 mm) Length 9" (228 mm)
 Weight 80 lb (42 kg)
 Mounting bolt pattern 10.00 ± .015 in. x 4.50 ± .015 in. (254.0 mm x 114,3 mm)
 Synthetic rope supplied. 100 ft (30.5m) of 3/8" (9mm) Technora Synthetic Rope and oversized 1/2" clevis hook w/ safety latch

Line Speed and Amp Draw – First Layer

Line Pull	lb	kg	no load	2,000	4,000	6,000	8,000	9,500
Line Speed	fpm	mpm	35.4	16.7	12.7	10.6	9.0	7.8
Motor Current	amps	12V	97	180	260	335	395	430

Line Pull and Cable Capacity

Layer of Cable		1	2	3	4	5
Rated Line Pull	lb	9,500	7,780	6,600	5,725	5,050
	kg	4,309	3,528	2,993	2,596	2,290
Cable Capacity per Layer	ft	15	35	60	90	105
	m	4	10	18	27	36

- Patriot 9500 H 12V with Aluminum Hawse fairlead, synthetic rope and wireless remote. **Part# 109193**
- Patriot 9500 H 12V with Aluminum Hawse fairlead, synthetic rope and 12 ft pendant. **Part# 109192**
- H - Hawse fairlead

Note: Anchor not designed to hold load. A min. of 8 wraps of rope around the drum barrel required to hold the load.