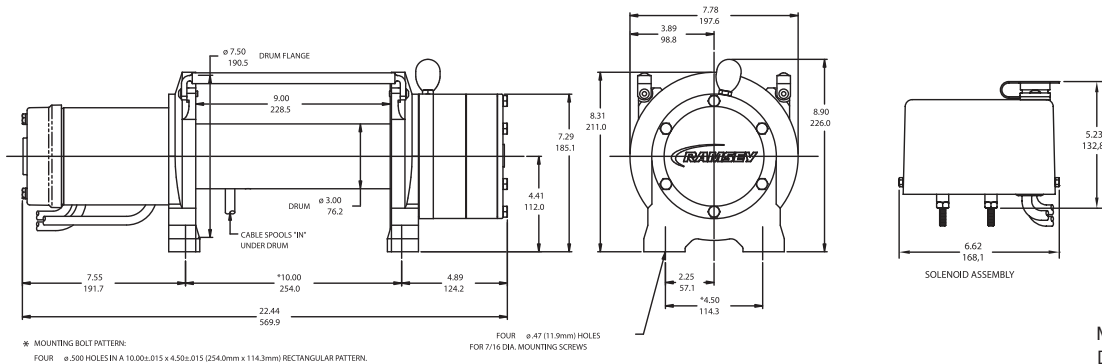


Patriot Profile 12000



Note: Fairlead does not attach directly to winch. Dimensions shown are inches over millimeters.

Product Features

- Efficient 5.5 HP 12 V DC series wound electric reversible motor for increased pulling power
- Proven three-stage planetary gear system design for fast line speed
- Motor and solenoids are grounded directly to battery
- Strong automatic load-holding brake for strength and reliability
- Cam action clutch disengages planetary gear system for free spooling - Patriot 12,000
- Weather resistant remote mounted solenoid assembly
- The Patriot Profile 12,000 comes with either a 12 ft pendant or the patented (US # 6,995,682) wireless remote
- 6 ft (1,83 m) 2 gauge battery cables with connectors
- Roller fairlead
- Limited lifetime warranty

Specifications

Rated line pull (single line) 12,000 lb (5,440 kg)
 Gear reduction ratio 194:1 (12V)
 Motor Series wound - 5.5 hp 12V DC
 Overall dimensions (LxWxH) 22.4" x 7.8" x 8.9"
 (568 mm x 198 mm x 226 mm)
 Drum size Diameter 3" (76 mm) Length 9" (229 mm)
 Weight Shipping: 112 lb (51 kg)
 Unit: 103 lb (47 kg)
 Cable supplied 125 ft (38.1 m) of 3/8" (9 mm) with
 replaceable 3/8" clevis hook with safety latch
 Mounting bolt pattern 10.00 \pm .015 in. x 4.50 \pm .015 in.
 (254.0 mm x 114.3 mm)

Line Speed and Amp Draw - First Layer

Line Pull	lb	no load	2,000	4,000	6,000	8,000	10,000	12,000
	kg		900	1,810	2,720	3,620	4,530	5,440
Line Speed	fpm	29	15	11	9	7	6	5
	mpm	8.9	4.6	3.5	2.8	2.3	1.8	1.5
Motor Current	amps 12V	98	175	245	300	360	410	465

Line Pull and Cable Capacity

Layer of Cable		1	2	3	4	5
Rated Line	lb	12,000	9,800	8,300	7,200	6,300
Pull per Layer	kg	5,440	4,440	3,760	3,260	2,850
Cable Capacity per Layer	ft	15	40	65	100	125
	m	4	12	19	30	38

Patriot Profile 12,000 R 12V with 12 ft pendant **Part# 109194**
 Patriot Profile 12,000 R 12V with wireless remote **Part# 109196**
 Patriot Profile 12,000 R 24V CE with 12 ft pendant **Part# 109197**
 R - 4-way roller fairlead