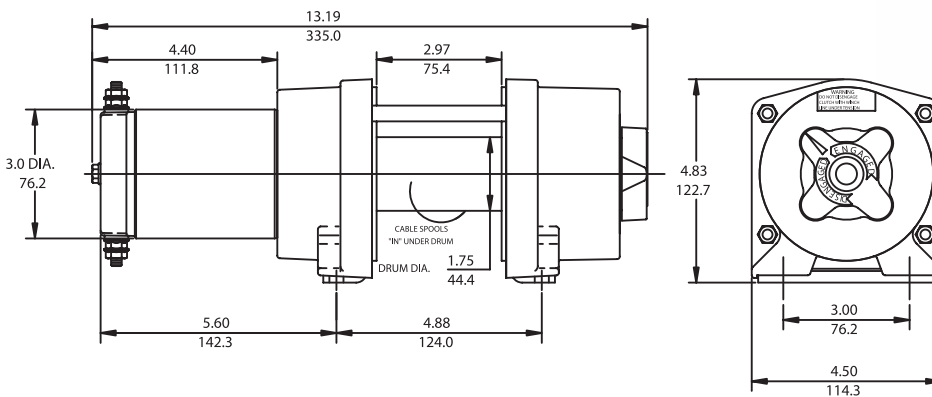


Badger 2500 with 12 ft pendant



Badger 2500 with motor switch



Dimensions are the same for Badger 2500 with 12 ft pendant and motor switch

Note: Fairlead does not attach directly to winch. Dimensions shown are inches over millimeters.

Product Features

- 0.9 HP 12V DC permanent magnet motor that uses minimal AMP Draw
- Proven and efficient three-stage planetary gear system design
- Reliable and easy to operate motor switch control or 12 ft pendant
- Strong automatic full load-holding brake
- Large knob cam action clutch for free spooling
- Winch shown with mounting plate PN 251073
- The 50 ft of aircraft quality wire rope is attached at an anchor point in the winch drum for maximum safety and pulling distance
- Comes complete with Hawse or Roller Fairlead depending on model
- Limited lifetime warranty

Specifications

Rated line pull	(single line) 2,500 lb (1,133 kg)
Gear reduction ratio	136:1 (12V)
Motor	Permanent magnet - 0.9 hp (12V) DC
Overall dimensions	(LxWxH) 13.19" x 4.50" x 4.75" (335 mm x 114 mm x 121 mm)
Drum size	Diameter 1.75" (44 mm) Length 2.97" (76 mm)
Weight	21 lb (9.5 kg)
Cable supplied	50 ft (15 m) of 3/16" (4.8 mm) galvanized aircraft cable with replaceable clevis hook with safety latch
Mounting bolt pattern	3.00 ± .015 in. x 4.88 ± .015 in. (76,2 mm x 124,0 mm)
Brake	Automatic load – holding brake standard

Line Speed and Amp Draw - First Layer

Line Pull	lb	no	500	1000	1500	2000	2500
	kg	load	227	453	680	906	1133
Line Speed	fpm	18	17	15	12	11	7.5
	mpm	5.5	5.1	4.6	3.7	3.4	2.3
Motor Current	amps	36	54	83	100	109	140

Line Pull and Cable Capacity

Layer of Cable		1	2	3	4	5
Rated Line Pull per Layer	lb	2500	2090	1800	1580	1400
	kg	1133	947	815	716	634
Cable Capacity per Layer	ft	7	15	25	37	50
	m	2.12	4.56	7.6	11.3	15.2

Badger 2500 R 12V with 12 ft pendant. **Part # 115102**

Badger 2500 H 12V with motor switch **Part # 115101**

Badger 2500 R 12V with wireless & rocker switch **Part # 115100**

R - 4-way roller fairlead H - Hawse fairlead