



TECHNICAL SPECIFICATIONS



PM4E SERIES

Large displacement vane motor



MOTOR OPERATING CHARACTERISTICS CHART

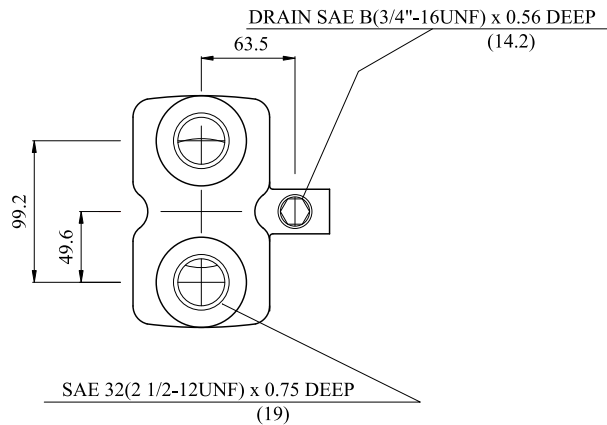
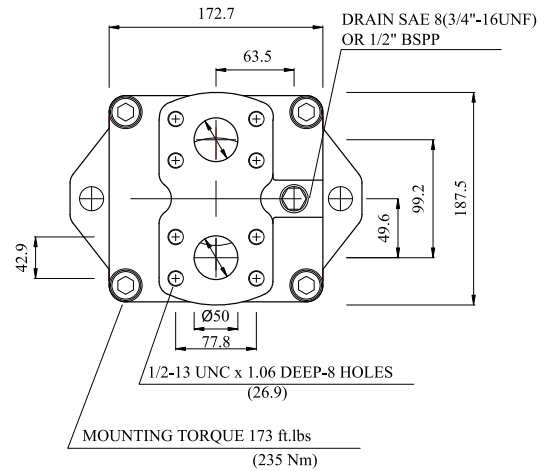
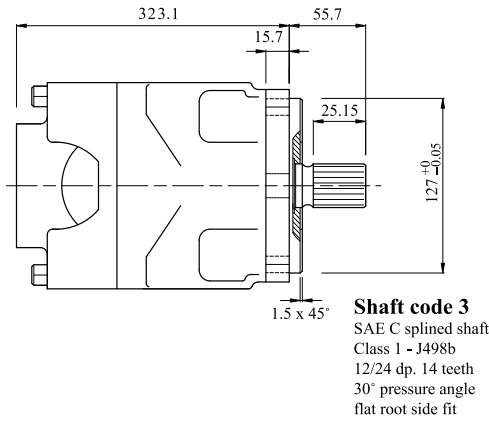
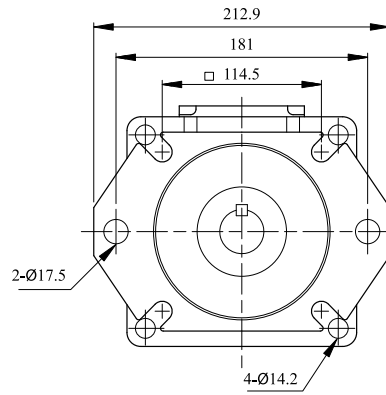
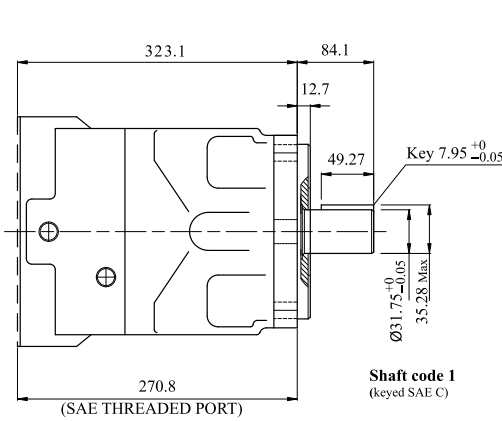
	Cam Ring		
	153	185	214
Torque (in.lb/PSI)	153	185	214
Input GPM @ 2500 PSI <i>2000 RPM</i>	90.61	108.1	124.2
Input LPM @ 172 BAR <i>2000 RPM</i>	343	409	470
IN³	9.67	11.69	13.55
CC	158.5	191.6	222
Max PSI	2500		
Torque 2500 PSI <i>= in/lbs</i>	3522	4283	5018
MAX RPM Continuous	2500		
MAX RPM Intermittent	3000		

SPECIFICATIONS

Series	Type	Frame Size	Displacement	Max RPM	Torque @ 2000 RPM	Max PSI
PM4E	Vane	Large	9.67-13.55	3000	153-214	2500

DIMENSIONAL DATA

PM4E SERIES



SAE THREADED PORT

DISCLAIMER Consult your Permco Representative or the factory for operation below 600 or above 2400 RPM and temperatures above 180° F. Consult Permco for all pressure applications over 4350 PSI. Oil Viscosity: 150 SUS (32.1 cSt.) at 100° F (37.8° C) | Oil Temperature: 150° F (65.5° C)



1500 Frost Road P.O. Box 2068
Streetsboro, Ohio 44241
Phone 330.626.2801- Fax 330.626.2805

support@permco.com · www.permco.com
twitter: @permco
facebook: www.facebook.com/permco