

**TECHNICAL SPECIFICATIONS**



**PM4D SERIES**

Medium to large displacement vane motor



**MOTOR OPERATING CHARACTERISTICS CHART**

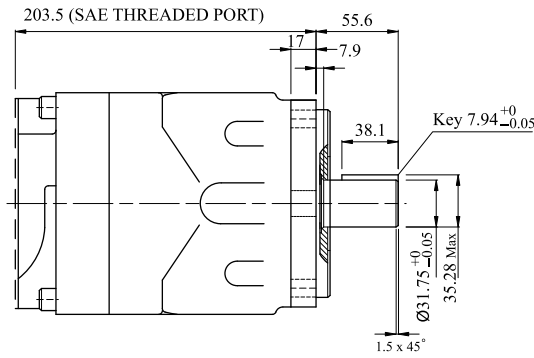
	Cam Ring						
	62	74	88	102	113	128	138
<b>Torque (in.lb/PSI)</b>	62	74	88	102	113	128	138
<b>Input GPM @ 2500 PSI</b> <i>2000 RPM</i>	40.68	47.02	54.42	63.67	67.89	76.35	82.69
<b>Input LPM @ 172 BAR</b> <i>2000 RPM</i>	154	178	206	241	257	289	313
<b>IN<sup>3</sup></b>	3.97	4.69	5.56	6.44	7.12	8.08	8.81
<b>CC</b>	65.1	76.8	91.1	105.5	116.7	132.4	144.4
<b>Max PSI</b>	2500						
<b>Torque 2500 PSI</b> <i>= in/lbs</i>	1460	1770	2089	2336	2655	3009	3292
<b>MAX RPM Continuous</b>	2500						
<b>MAX RPM Intermittent</b>	3600						

**SPECIFICATIONS**

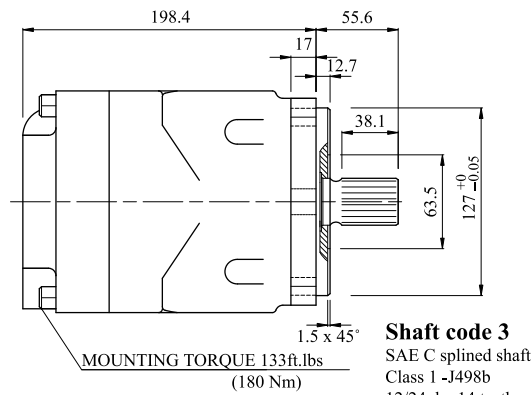
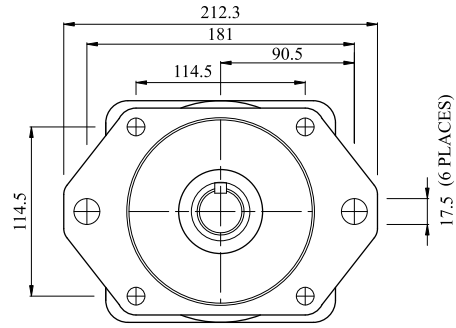
Series	Type	Frame Size	Displacement	Max RPM	Torque @ 2000 RPM	Max PSI
PM4D	Vane	Medium to Large	3.97-8.81	3000	62-138	2500

# DIMENSIONAL DATA

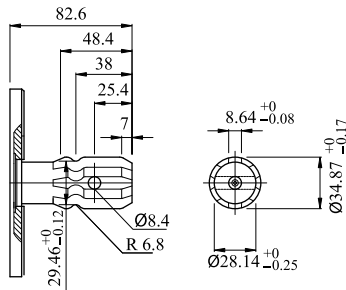
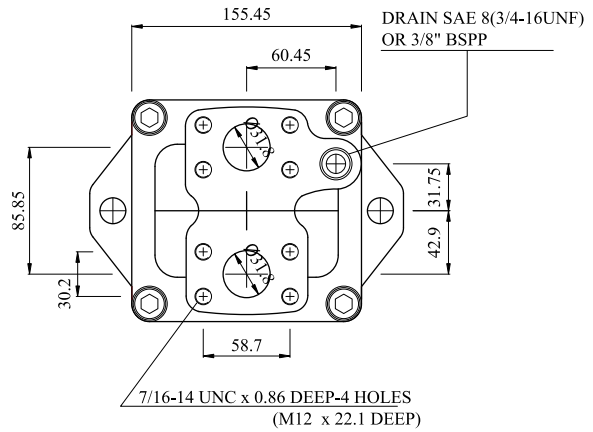
# PM4D SERIES



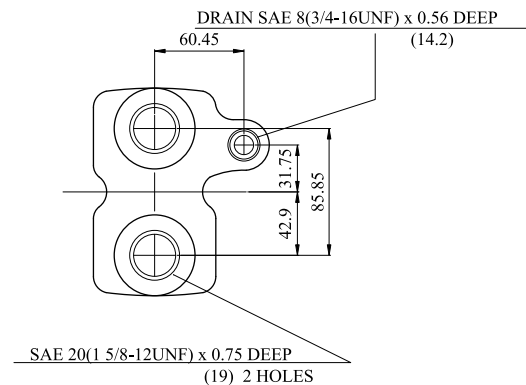
**Shaft code 1**  
(keyed SAE C)



**Shaft code 3**  
SAE C splined shaft  
Class 1 -J498b  
12/24 dp. 14 teeth  
30° pressure angle  
flat root side fit



**Shaft code S**  
SAE J718C  
540 rpm power take-off  
For Farm Tractor application



## SAE THREADED PORT

**DISCLAIMER** Consult your Permco Representative or the factory for operation below 600 or above 2400 RPM and temperatures above 180° F. Consult Permco for all pressure applications over 4350 PSI. Oil Viscosity: 150 SUS (32.1 cSt.) at 100° F (37.8° C) | Oil Temperature: 150° F (65.5° C)



1500 Frost Road P.O. Box 2068  
Streetsboro, Ohio 44241  
Phone 330.626.2801 • Fax 330.626.2805

support@permco.com • www.permco.com  
twitter: @permco  
facebook: www.facebook.com/permco