

FA6B SERIES

POWER TAKE-OFF



DESIGNED TO FIT

With its angular housing design, the FA6B Series power take-off moves the clutch shifted output below chassis obstructions for either drive shaft applications or direct mount pumps for Allison and Aisin 6-bolt transmissions. Direct pump mounts for SAE "A" flanges with 7/8"-13T or 3/4"-11 shafts are available.



KEY FEATURES

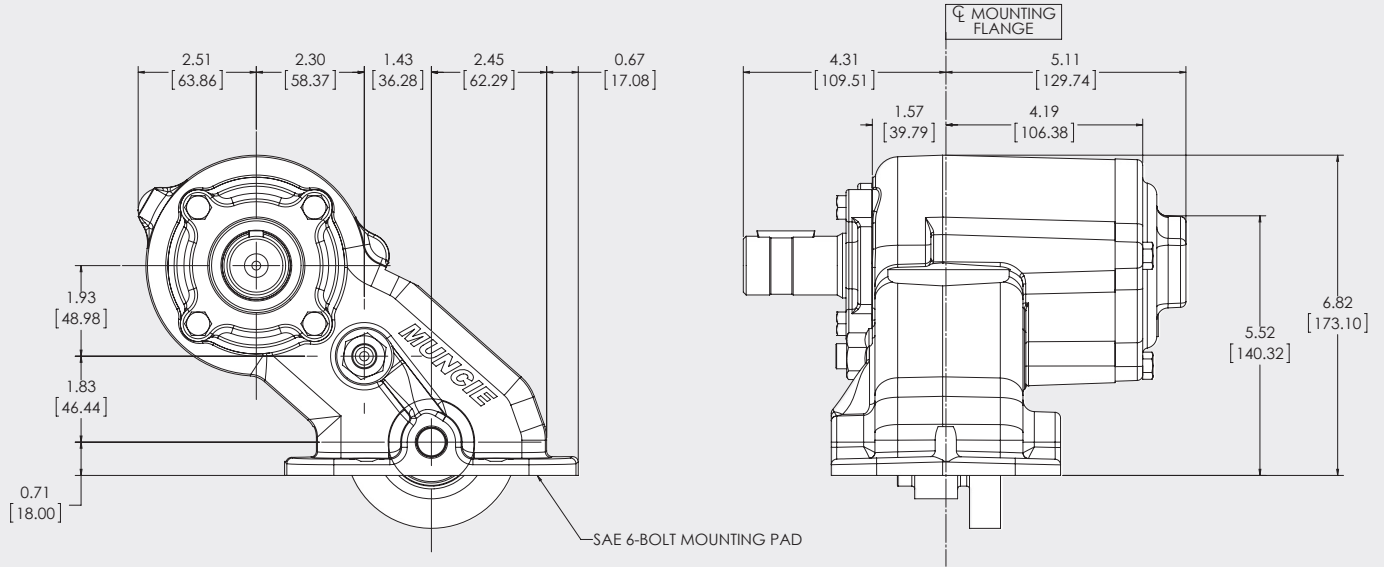
- Solenoid activated clutch shift: positive, no "gear clash" engagement
- Advanced gear design: reduced noise, robust Design
- Pre-configured wiring harness: easy, plug-in installation
- Remote and direct mount models: versatile pump mounting
- One year warranty: industry leading support and availability

PTO TORQUE & HORSEPOWER RATINGS

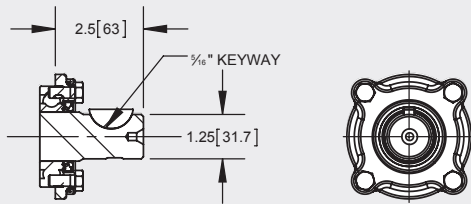
PTO SERIES	SPEED RATIO	INTERMITTENT HP @ 1,000 RPM	INTERMITTENT TORQUE LBS.FT.	CONTINUOUS TORQUE LBS.FT.	INTERMITTENT [KW] @ 1,000 RPM	INTERMITTENT TORQUE [NM]	MAX SPEED
FA6B-A67	06	19	100	89	14	136	2,500
FA6B-I84	06	15	79	79	11	107	2,500
FA6B-I84/ AS69RC TRANSMISSION	06	24	124	89	18	168	2,500

Approximate Weight: 34 lbs. (15.4 Kg.)

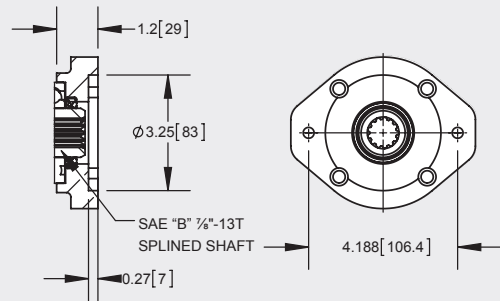
DIMENSIONS



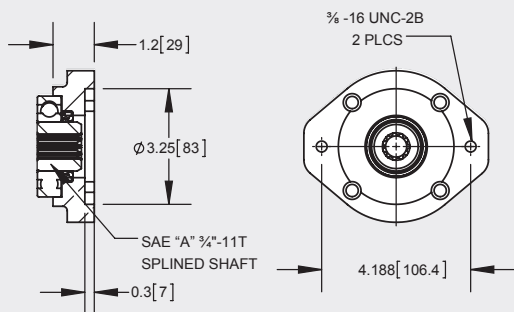
OUTPUT OPTIONS



"B" OUTPUT - 1.25" RD SHAFT W/ $\frac{1}{16}$ " KEY



"Q" OUTPUT - SAE "A" 2-BOLT FLANGE
SAE "B" $\frac{1}{8}$ "-13T SPLINED SHAFT



"T" OUTPUT - SAE "A" 2-BOLT FLANGE
SAE "A" $\frac{3}{4}$ "-11T SPLINED SHAFT

MODEL NUMBER CONSTRUCTION

FA-6B-F14-06 H-3-T-X

PTO Type

Clutch Shift, Ford Type — FA

Mounting

SAE 6 Bolt Standard, Metric Kit — 6B

Transmission FA Gear Data

Aisin	8.46P 20°PA Spur	184
Allison	6.86P 20°PA Spur	A67

Speed Ratio

06 — .62:1

Special Features

X — None

Output Types

B — 1¼ Rd. 5/16 KW
 Q — 7/8 13 Spl.- 2 Bolt "A"
 T — ¾ 11 Spl.- 2-Bolt "A"

Assembly Arrangement

3

Shifter Type

H — Electric/Hydraulic (12V)



**Muncie®
Power
Products**

Member of the Interpump Group
MP15-30 (Rev. 03-17)

201 East Jackson Street • Muncie, Indiana 47305
800-367-7867 • Fax 765-284-6991 • info@munciepower.com • www.munciepower.com
Specifications are subject to change without notice. Visit www.munciepower.com
for warranties and literature. All rights reserved. © Muncie Power Products, Inc. (2015)