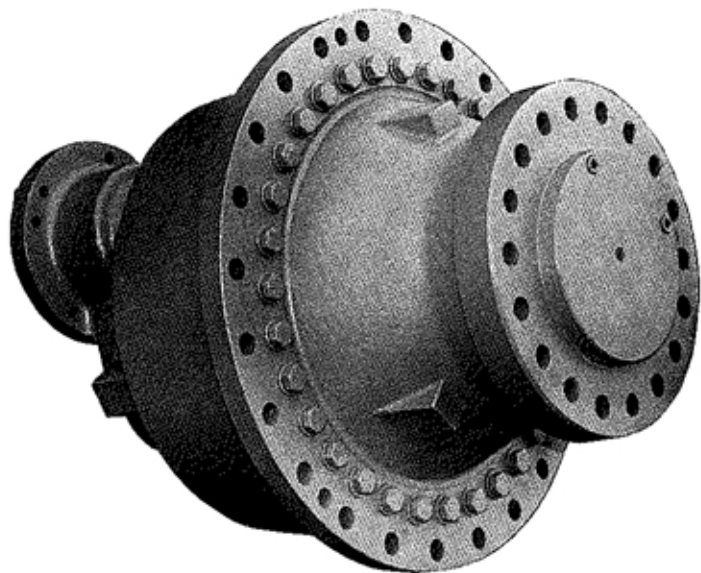


# BRADEN

## MODEL WD900A

- Multiple planet gears provide compact size
- Available with right angle input and integral parking brake
- Planetary gearing provides high mechanical efficiency
- Metal face and o-ring seals provide positive sealing
- Tapered roller bearings provide high radial and thrust load capacity
- Optional reduction ratios from 72:1 to 189:1
- Speed reducer version available for swing and winch drive applications



**900,000 LB-IN OUTPUT  
HIGH EFFICIENCY  
PLANETARY WHEEL DRIVE**

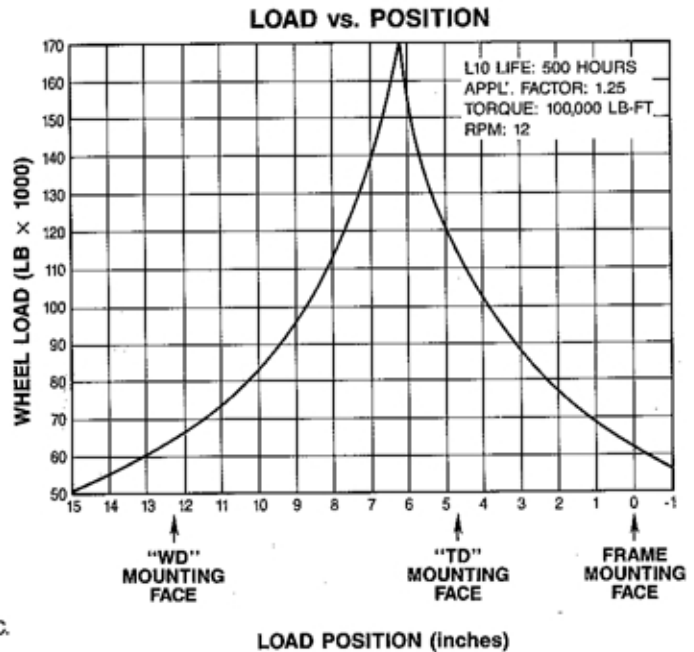
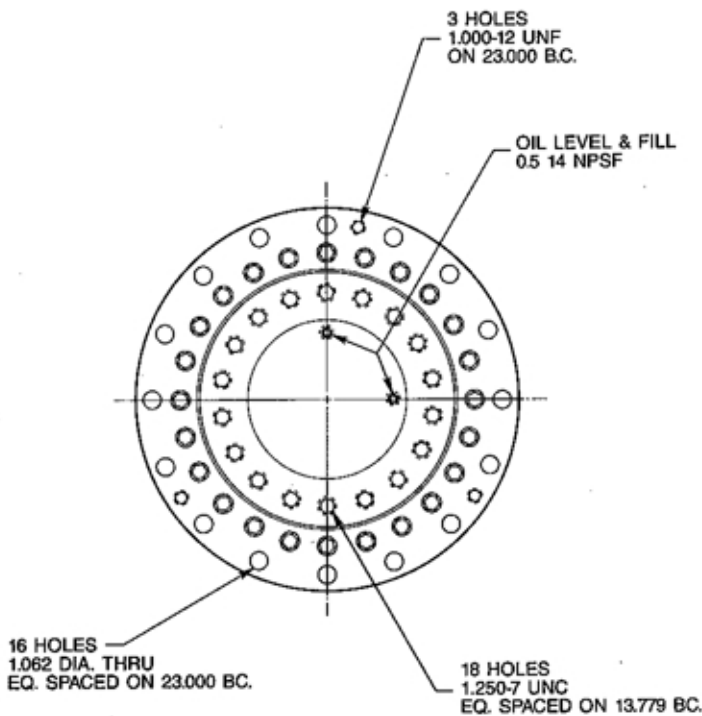
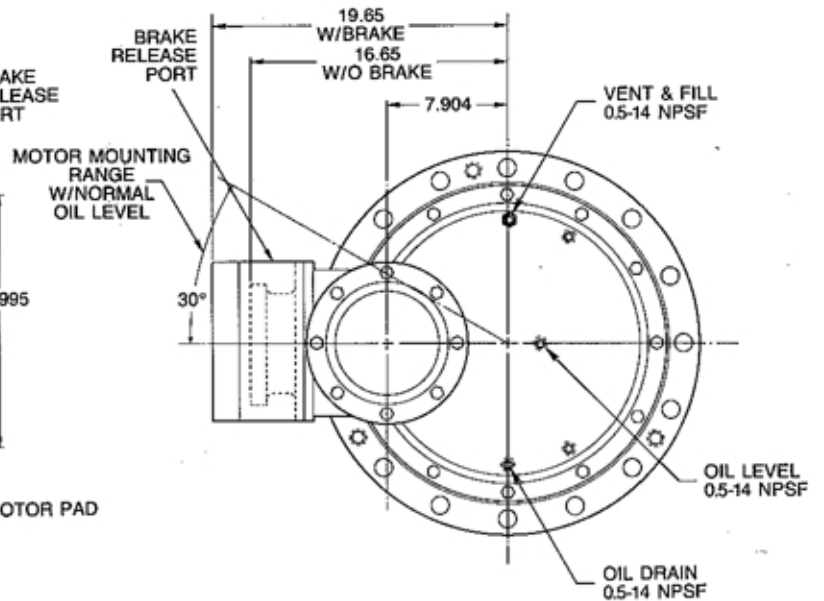
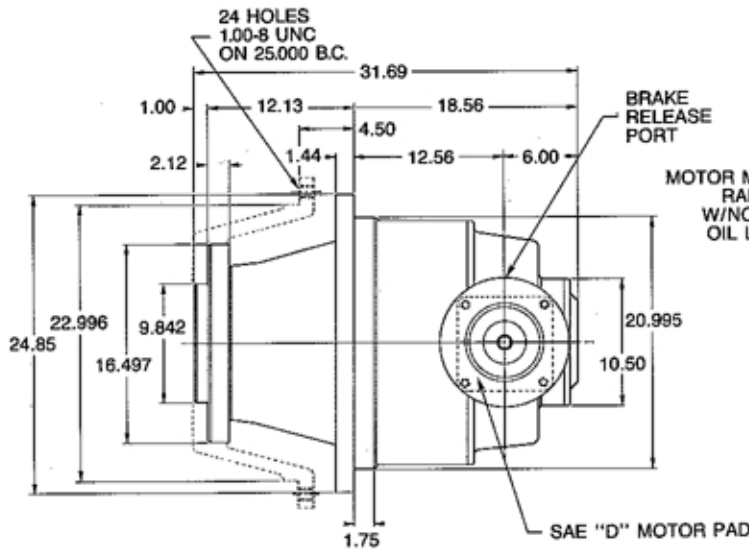
Distributed by:

**PACCAR WINCH DIVISIONS**

P.O. BOX 547 • BROKEN ARROW, OK 74013  
PHONE: (918) 251-8511 • TELEX: 492340 • FAX: (918) 258-4822

# BRADEN WD900A

# DIMENSIONAL INFORMATION



## SPECIFICATIONS: WD900A

Rated Output Torque (Intermittent)	900,000 LB-IN
Rated Output Speed	14 RPM
Maximum Input Speed	4000 RPM
Reduction Ratio Range (STD. Input)	72:1 to 126:1
Reduction Ratio Range (Rt. Angle Input)	88:1 to 189:1
Motor Mounting Pad	SAE "D"
Weight	1410 LB