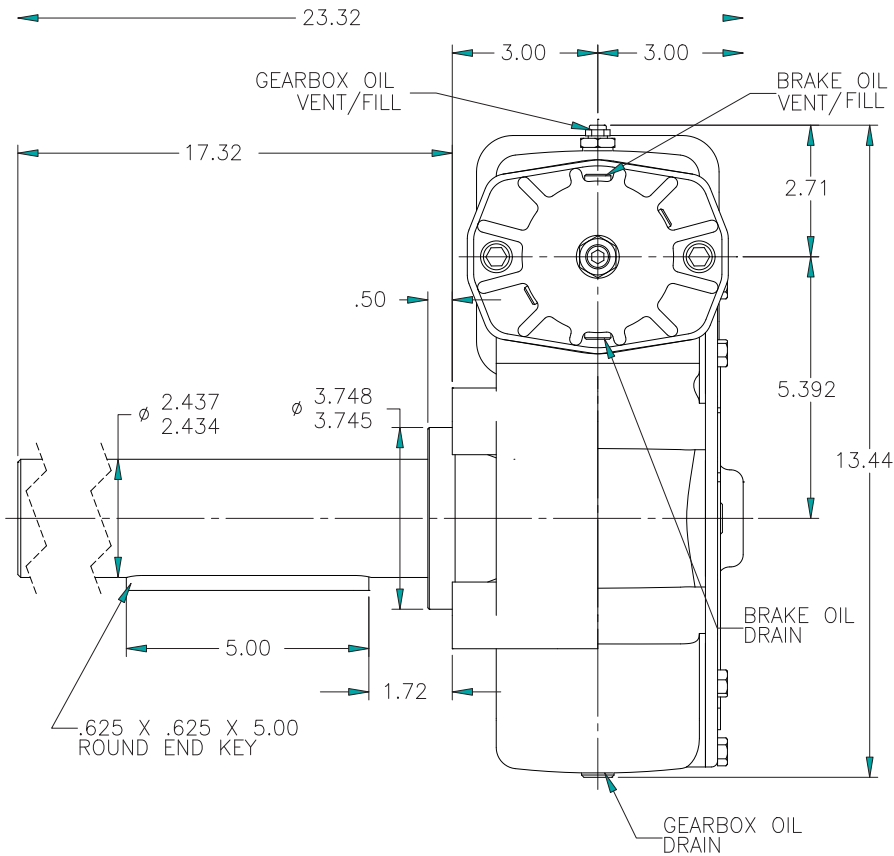
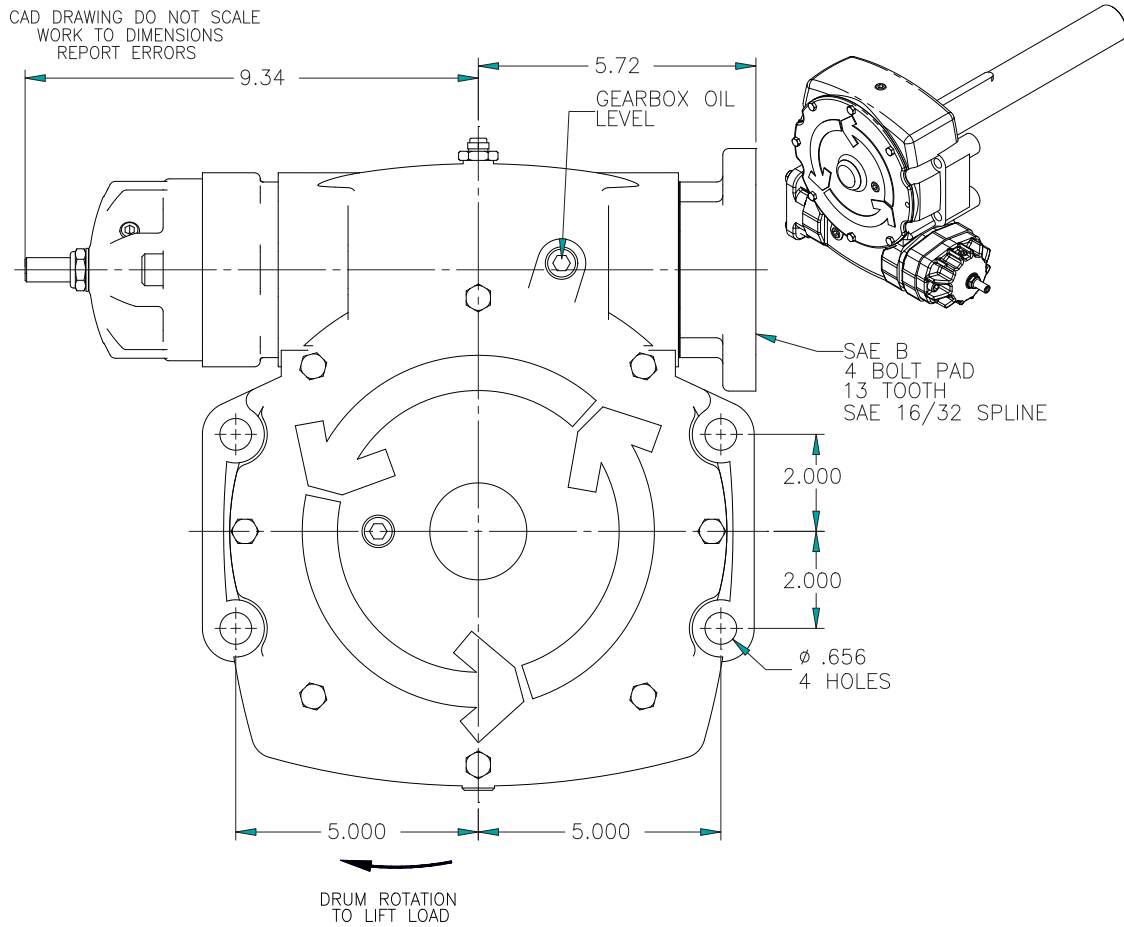


HFG1754



CAD DRAWING DO NOT SCALE
WORK TO DIMENSIONS
REPORT ERRORS



PART #: 80859