



WARN Industrial Hoist

Model

Part Number

Motor Type

DC2500

74396

DC Electric
12 Volt
Permanent
Magnet



The DC2500 hoist combines a powerful permanent magnet DC motor with robust sealing and our proven 3-stage all metal geartrain. Permanent grease lubrication means years of trouble free service. All WARN hoists incorporate an automatic mechanical brake that holds full rated load. The durable powder coated finish stands up to the elements and looks great. The DC2500 hoist is built on WARN's robust large frame design with a cast aluminum drum to provide plenty of wire rope capacity. Controls and accessories available separately.

Accessories

| Description: | Part Number |
|--|-------------|
| Control Pack-12V | 40709 |
| Contactors Only-12V (Standard bracket) | 34440 |
| Contactors Only-12V (w/ bracket for cover) | 34973 |
| Contactors Cover (with remote plug) | 36648 |
| Contactors Cover (no plug) | 35169 |
| Remote Control Only | 88528 |

Engineering Data

| | | |
|---|----------------|-------------|
| Rated Capacity: | 2500 lbf | 1134 kgf |
| Drum Barrel Diameter: | 5.3 in | 135 mm |
| Drum Flange Diameter: | 8.9 in | 226 mm |
| Distance Between Flanges: | 4.7 in | 119 mm |
| Recommended Maximum Wire Rope Diameter: | 5/16 in | 7.9 mm |
| Recommended Minimum Wire Rope Breaking Strength: | 9800 lbf | 4445 kgf |
| Approximate Shipping Weight: | 75 lb | 34 kg |
| Duty Cycle (intermittent per SAE J706 section 6.2): | N/A ft | N/A m |
| Mounting Bolt Torque: | 35 - 40 ft*lb | 47 - 54 N*m |
| Maximum Layers of Wire Rope: | 4 | |
| Gear Reduction: | 315:1 | |
| Brake Type: | Automatic Cone | |
| Contactors/Remote Type: | Not Included | |

Drum Rotation



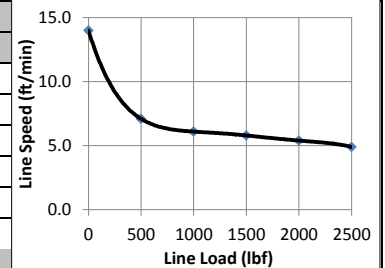
Viewed from Motor End

Standards Compliance

1. - CE Machinery Directive 98/37/EC and 2006/42/EC
2. - CE Electromagnetic Compatibility 2004/108/EC
3. - ASME B30.5

Performance By Layer

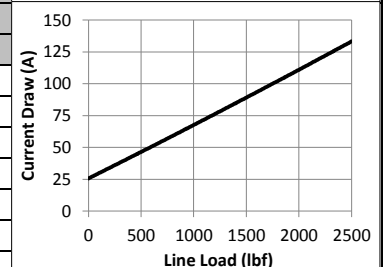
| Drum Layer | Line Load * | | | No Load Line Speed | | Drum Capacity | |
|------------|-------------|------|------|--------------------|-------|---------------|------|
| | lbf | kgf | kN | ft/min | m/min | ft | m |
| 1 | 2500 | 1134 | 11.1 | 14.0 | 4.3 | 20 | 6.1 |
| 2 | 2250 | 1021 | 10.0 | 15.7 | 4.8 | 42 | 12.8 |
| 3 | 2045 | 928 | 9.1 | 17.2 | 5.2 | 66 | 20.1 |
| 4 | 1875 | 850 | 8.3 | 18.8 | 5.7 | 92 | 28.0 |



* Never exceed the Rated Capacity. Installation of a Rated Capacity Limiter is recommended.

First Layer Performance

| Line Load | | Current Draw | Line Speed | | Duty Cycle |
|-----------|------|--------------|------------|-------|------------|
| lbf | kgf | Amps | ft/min | m/min | min/10min |
| 0 | 0 | 23 | 14.0 | 4.3 | Continuous |
| 500 | 227 | 49 | 7.1 | 2.2 | 6.7 |
| 1000 | 454 | 72 | 6.1 | 1.9 | 3.7 |
| 1500 | 680 | 87 | 5.8 | 1.8 | 2.9 |
| 2000 | 907 | 105 | 5.4 | 1.6 | 2.3 |
| 2500 | 1134 | 137 | 4.9 | 1.5 | 1.6 |



WARN INDUSTRIES, INC
Industrial Products

Customer Service (North America): 1.800.543.9276
Customer Service (International): 1.503.722.3008
FAX: 1.503.722.3000 www.warn.com

12900 S.E. Capps Road,
Clackamas, OR USA 97015



WARN Industrial Hoist

Model

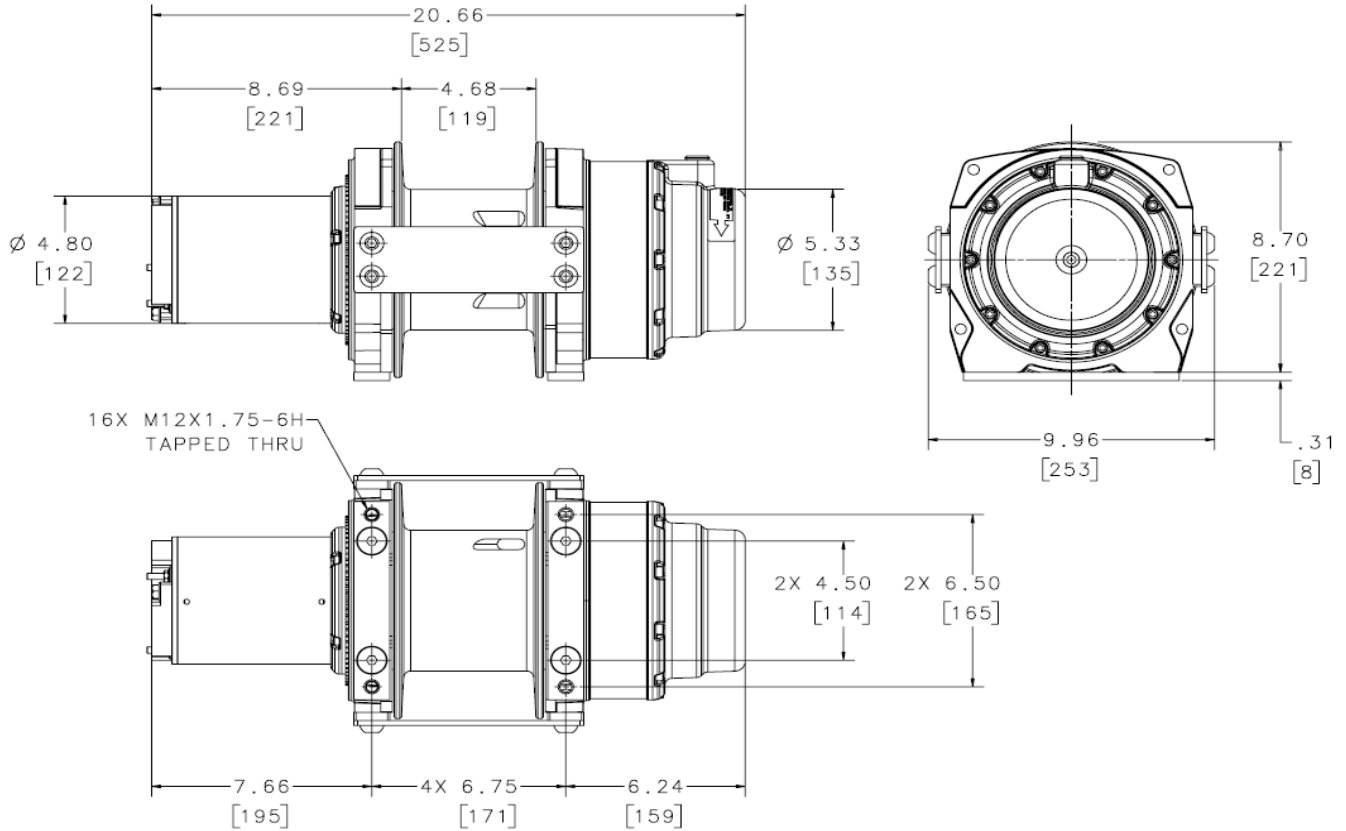
DC2500

Part Number

74396

Motor Type

DC Electric
12 Volt
Permanent
Magnet



Units are given in inches [millimeters], unless otherwise specified

Recommended Mounting (Always Observe Correct Drum Rotation)

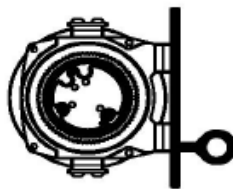
Electrical System Specifications

Pull from bottom of hoist



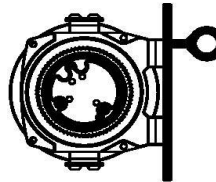
Feet down

Pull from bottom of hoist



Feet forward

Pull from top of hoist



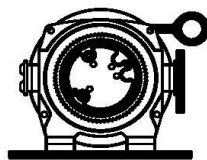
Feet forward

Pull from top of hoist



Feet down without angle brace

Pull from top of hoist



Feet down with angle brace

Pull from top of hoist



Angle Braces Only

See Electrical Cable Gauge Size Chart for cable sizing

All electrical connections must be clean and tight

Electrical System Wiring Schematic

Hoist provided without electrical controls. See accessories on front page for control kits.

Power IN (Hoisting)- Connect motor terminal #2 to positive. Connect motor terminal #1 to negative (Ground).

Power OUT (Lowering)- Connect motor terminal #1 to positive. Connect motor terminal #2 to negative (Ground).

Notes:

WARN INDUSTRIES, INC
Industrial Products

Customer Service (North America): 1.800.543.9276
Customer Service (International): 1.503.722.3008
FAX: 1.503.722.3000 www.warn.com

12900 S.E. Capps Road,
Clackamas, OR USA 97015