

# RAMSEY WINCH

## SCH 4900

Ramsey industrial hydraulic service crane hoists are developed to meet a need for increased line speed of crane applications and other industrial uses. Hoists feature single lubricant for all temp ranges and are light weight.



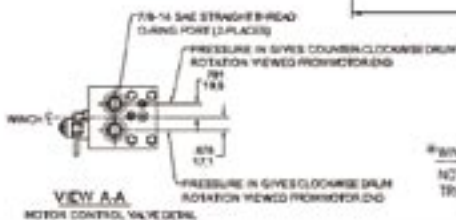
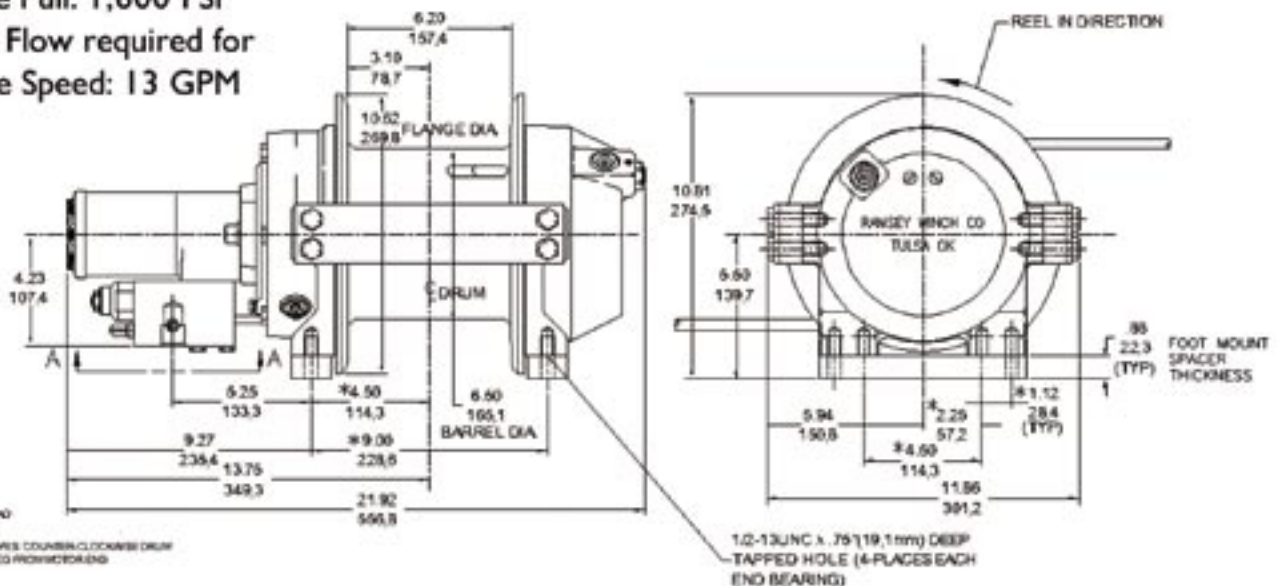
Part Number 123308

### Specifications:

- Rated Line Pull: 4,900 lbs. (First Layer) (2,220 kgs)
- Gear Reduction Ratio: 5.1:1
- Weight 125 lbs. (57 kgs) without cable
- Recommended Wire Rope Size: 3/8 in.
- Hydraulic Pressure Required for Rated Line Pull: 1,600 PSI
- Hydraulic Flow required for Rated Line Speed: 13 GPM

### Layer of Cable

		1	2	3	4
Line Pull	lbs	4900	4400	4000	3600
	kgs	2220	1990	1810	1630
Line Speed	fpm	51	55	59	64
	mpm	15.5	16.7	17.9	19.5
Cable Capacity	ft	25	55	85	120
	m	7	16	25	36



\*WINCH MOUNTING CAPSCREWS MUST MEET OR EXCEED SAE GRADE 5 SPECIFICATION  
NOTE: THESE HOLE LOCATIONS MUST BE HELD WITHIN  $\pm 0.5^\circ$  (0.8 MM) OF TRUE POSITION. RECOMMENDED MOUNTING HOLE DIAMETER IS .53" (13.5 MM).

DIMENSIONS SHOWN ARE INCHES OVER MILLIMETERS

[www.ramsey.com](http://www.ramsey.com)