

RAMSEY WINCH

SCH 2900

Ramsey industrial hydraulic service crane hoists are developed to meet a need for increased line speed of crane applications and other industrial uses. Hoists feature single lubricant for all temp ranges and are light weight.



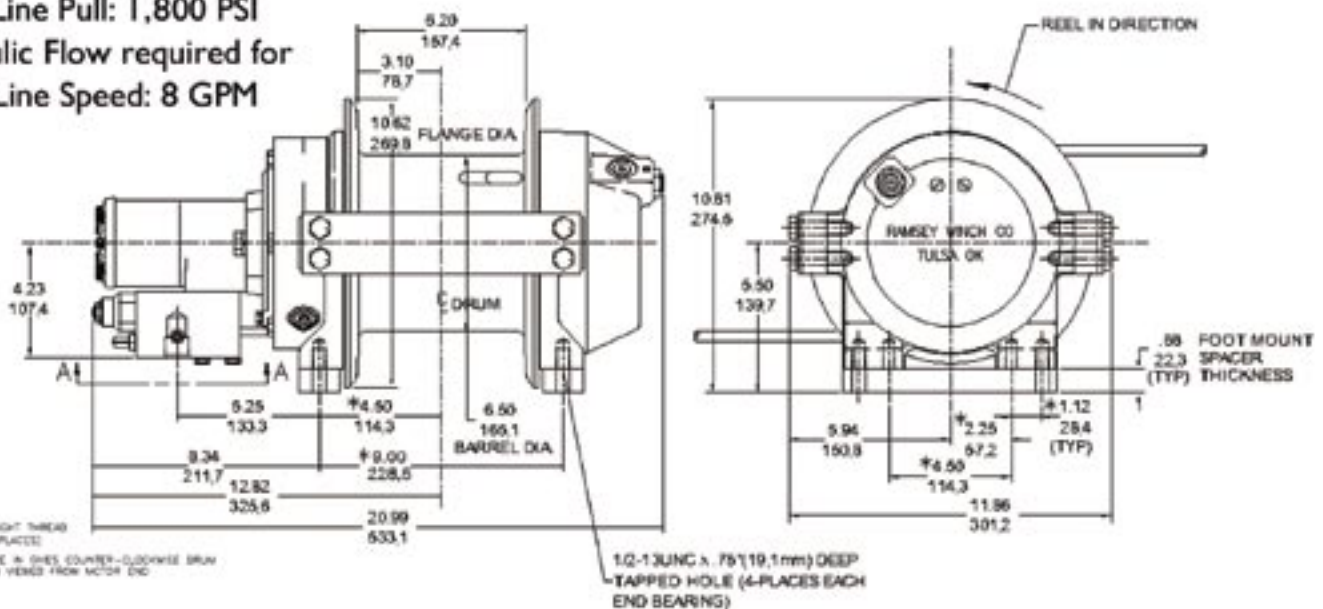
Part Number 123309

Specifications:

- Rated Line Pull: 2,900 lbs. (First Layer) (1,310 kgs)
- Gear Reduction Ratio: 5.1:1
- Weight 118 lbs. (54 kgs) without cable
- Recommended Wire Rope Size: 5/16 in.
- Hydraulic Pressure Required for Rated Line Pull: 1,800 PSI
- Hydraulic Flow required for Rated Line Speed: 8 GPM

Layer of Cable

		1	2	3
Line Pull	lbs	2900	2600	2400
	kgs	1310	1170	1080
Line Speed	fpm	59	63	68
	mpm	17.9	19.1	20.6
Cable Capacity	ft	30	65	100
	m	9	19	30



*WINCH MOUNTING CAPSCREWS MUST MEET OR EXCEED SAE GRADE 5 SPECIFICATION
NOTE: THESE HOLE LOCATIONS MUST BE HELD WITHIN ±.05" (0.8 MM) OF TRUE POSITION. RECOMMENDED MOUNTING HOLE DIAMETER IS .53" (13.5 MM).

DIMENSIONS SHOWN ARE INCHES OVER MILLIMETERS

www.ramsey.com