

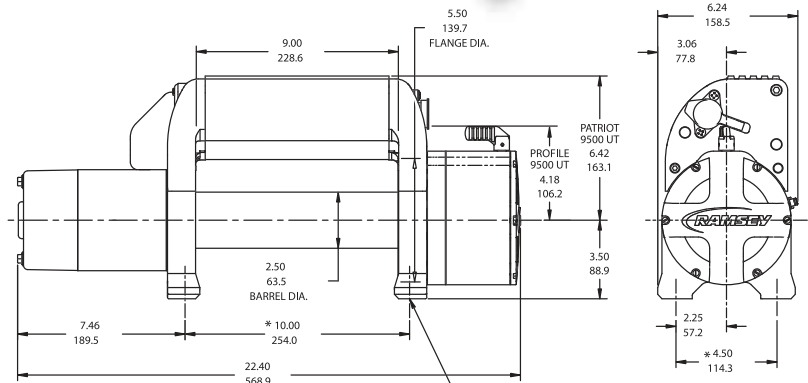
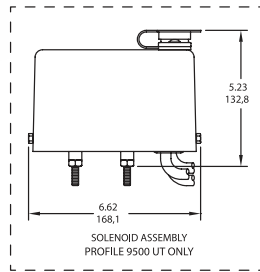
Patriot 9500 UT



Profile 9500 UT



With Patented Semi-Automatic Clutch



Note: Fairlead does not attach directly to winch. Dimensions shown are inches over millimeters.

* MOUNTING BOLT PATTERN:
FOUR .41 HOLES IN A 10.00±.015 x 4.50±.015 RECTANGULAR PATTERN. FOUR .375 DIA. MOUNTING SCREWS

Product Features

- Patented (US # 7,891,641) Semi-Automatic Clutch revolutionary design reduces winching time, increases user convenience
- Patented (US # 6,995,682) Wireless Remote can operate winch from up to 50' away
- Patriot 9500 UT features a sleek solenoid housing that adds structural integrity to the winch
- Profile 9500 UT features a weather resistant remote mounted solenoid assembly
- Sealed high torque 5.5 HP 12 V DC series wound electric reversible motor for increased pulling power
- Sealed drum and gear housing assembly to keep the elements out of the winch
- Motor and solenoids are grounded directly to battery
- Strong automatic load-holding brake for strength and reliability
- 6 ft (1.83 m) 2 gauge battery cables with connectors
- Limited lifetime warranty

Specifications

Rated line pull(single line) 9,500 lb (4,309 kg)
 Gear reduction ratio138:1 (12V)
 MotorSeries wound - 5.5 hp 12V DC
 Overall dimensions.(LxWxH) 22.66" x 6.12" x 9.94"
 (576 mm x 156 mm x 252 mm)
 Drum size.Diameter 2.5" (63 mm) Length 9" (228 mm)
 Weight93 lb (42 kg)
 Cable supplied105 ft (31.8 m) of 5/16" (8 mm) galvanized aircraft cable with replaceable clevis hook with safety latch
 Mounting bolt pattern.10.00 ± .015 in. x 4.50 ± .015 in.
 (254.0 mm x 114.3 mm)

Line Speed and Amp Draw - First Layer

Line Pull	lb	kg	no load	2,000 900	4,000 1,810	6,000 2,720	8,000 3,620	9,500 4,309
Line Speed	fpm	mpm	33.0	14.0	11.0	9.0	7.0	6.0
Motor Current	amps 12V		95	205	270	340	405	450

Line Pull and Cable Capacity

Layer of Cable		1	2	3	4	5
Rated Line Pull per Layer	lb	9,500	7,700	6,500	5,700	4,900
	kg	4,309	3,480	2,940	2,580	2,210
Cable Capacity per Layer	ft	15	35	60	90	105
	m	4	10	18	27	32

Patriot 9500 UT 12V with Roller fairlead, 105' cable, wireless remote **Part# 109198**
 Patriot 9500 UT 12V with Aluminum Hawse fairlead, 100' synthetic rope, wireless remote **Part# 109212**
 Patriot Profile 9500 UT 12V with Roller fairlead, 105' cable, wireless remote **Part# 109209**
 Patriot Profile 9500 UT 12V with Aluminum Hawse fairlead, 100' synthetic rope, wireless remote. **Part# 109215**