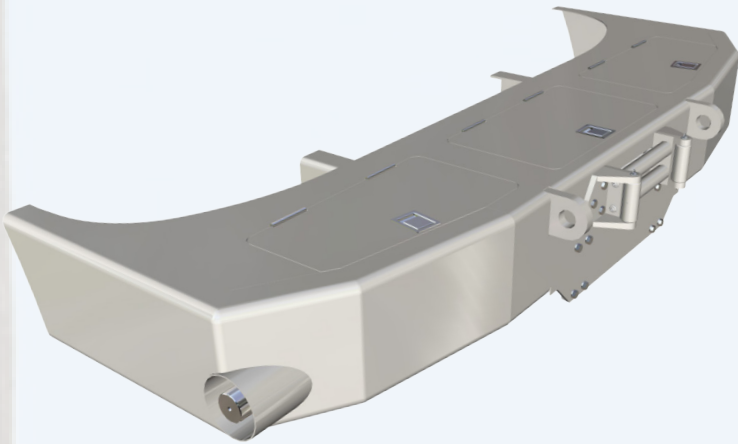


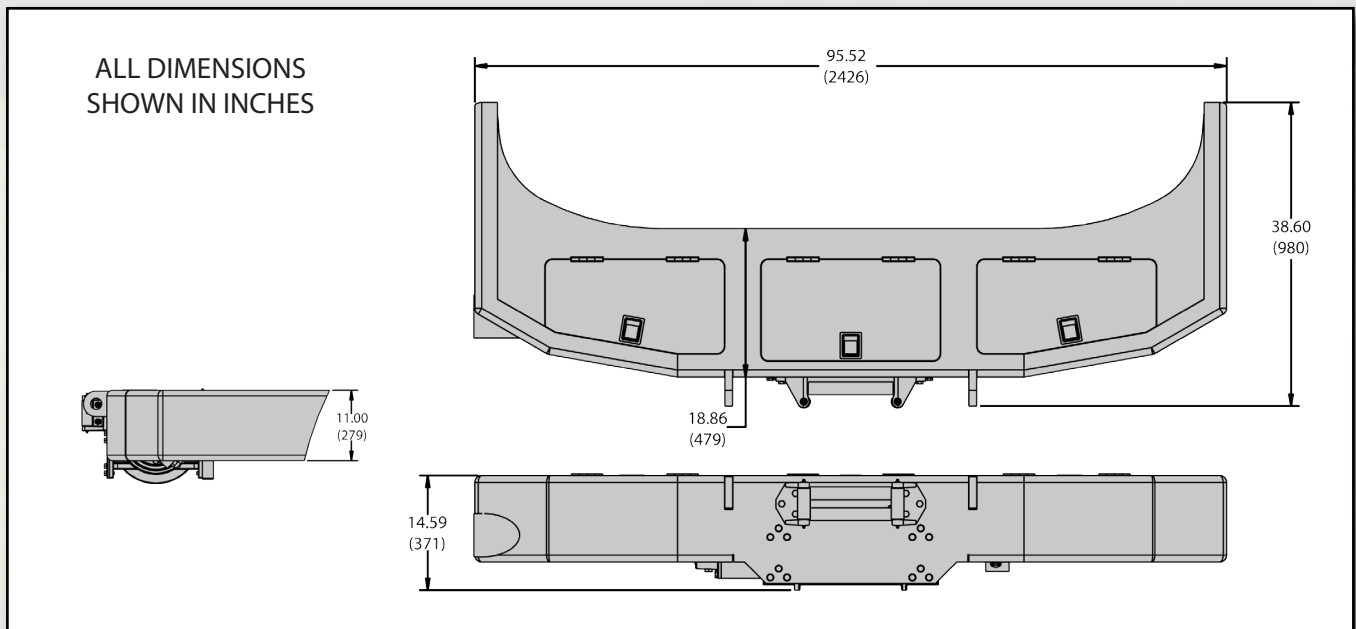
## PD35A Planetary Recovery Winch 35,000 lb (15,900kg)



### Features

- Designed for compliance with SAE J706
- Jaw clutch with negative draft for positive clutch engagement
- Enclosed oil bath "wet" disc brake for outstanding load control
- Extension shaft rotational speed is 5.4:1 speed of winch
- Dual tool boxes with expanded metal bottoms

### DIMENSIONALS



## PERFORMANCE

### PD35A-35119-01

11.9 cu in. Motor (157cc)  
2580 PSI (178 bar) @ 30 gpm (114 lpm)  
Wire Rope Diameter: 3/4"

	LINE PULL		LINE SPEED		ROPE CAPACITY*	
	LB	KG	FPM	MPM	FT	M
1	35,000	15,900	27	8	26	8
2	28,690	13,040	33	10	58	18
3	24,300	11,045	39	12	95	29
4	21,080	9,580	46	14	138	42
5	18,620	8,460	52	16	187	57

\*Rope capacity based on 90% of theoretical

### EXTENSION SHAFT RATING

7" CAPSTAN	
LINE PULL	LINE SPEED
lbs	FPM
3,200	185

## DRUM CAPACITY

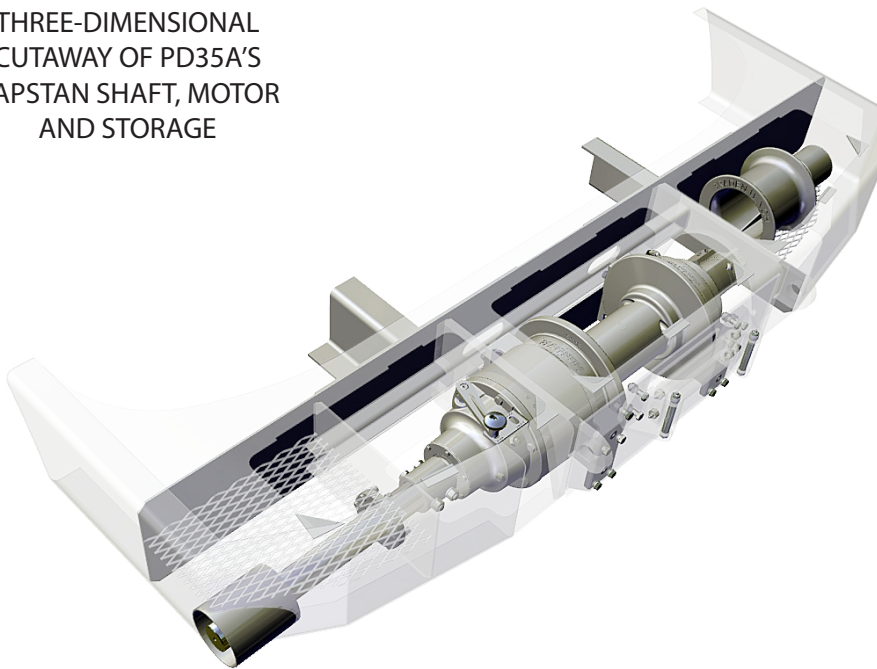
### -01 DRUM CAPACITY (6.07" B x 14.00" F x 12.30" W)

	PD/d	1	2	3	4	5	6
5/8"	10.7:1	31	67	109	157	211	271
3/4"	9.0:1	26	58	96	139	188	
7/8"	8.0:1	23	51	85	125		

\* Rope capacity based on 90% of theoretical

## ADDITIONAL DIMENSIONAL INFORMATION

THREE-DIMENSIONAL CUTAWAY OF PD35A'S CAPSTAN SHAFT, MOTOR AND STORAGE



*Fleet*  
**Specified**