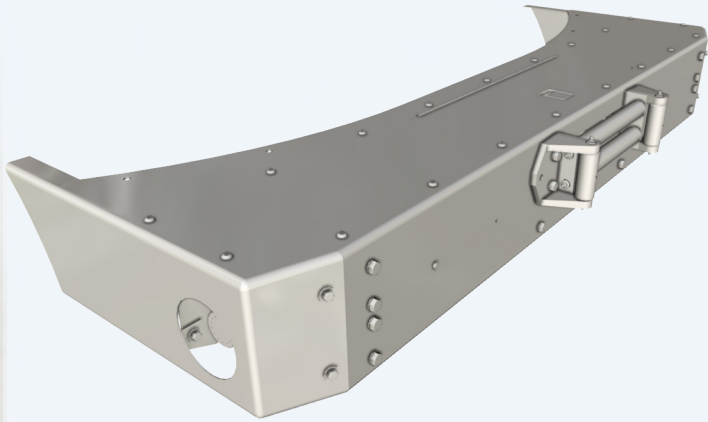


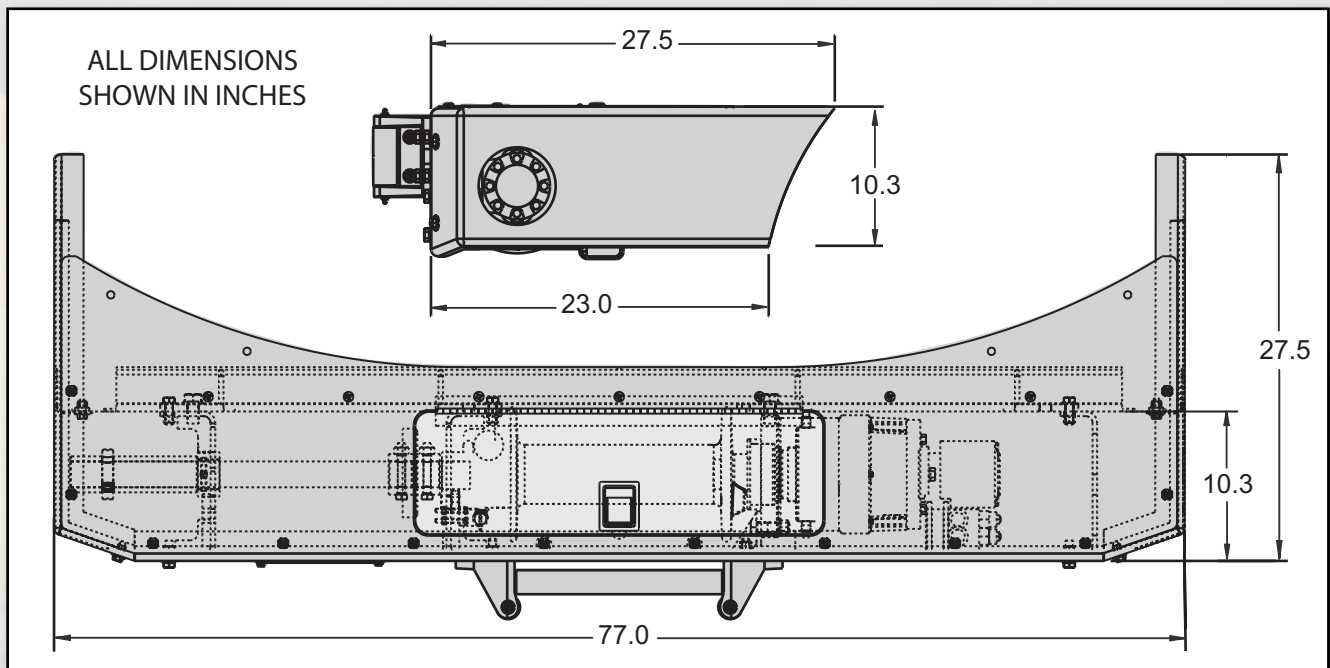
## HUP12 Planetary Recovery Winch 12,000 lb (5,450kg)



### Features

- Universal Bumper Mount
- Rugged and compact design
- Enclosed oil bath "wet" disc brake for outstanding load control
- High efficiency planetary gearing
- Negative draft jaw clutch for positive engagement
- Drag brake to reduce drum overspin
- Optional Street-side or Curb-side extension shaft
- Optional Two-speed Motor

### DIMENSIONALS



## PERFORMANCE

### HUP12A-08119-01

11.9 cu in. Motor (195cc)  
2700 PSI (175 bar) @ 20 gpm (76 lpm)  
Wire Rope Diameter: 1/2"

	LINE PULL		LINE SPEED		ROPE CAPACITY*	
	LB	KG	FPM	MPM	FT	M
1	12,000	5,450	51	16	30	9
2	9,800	4,460	63	19	66	20
3	8,300	3,750	74	23	109	33
4	7,200	3,250	86	26	158	48
5	6,350	2,880	97	30	211	64

\*Rope capacity based on 90% of theoretical

### EXTENSION SHAFT RATING

#### 7" CAPSTAN

#### 20" C.R. REEL

LINE PULL	LINE SPEED	LINE PULL	LINE SPEED
lbs	FPM	lbs	FPM
2,250	86	800	240

### HUP12A-08142/071-01

14.20/7.10 cu in. 2-Speed Motor (233/116cc)  
2400 PSI (152 bar) @ 20 gpm (76 lpm) Wire Rope Diameter: 1/2"

	LOW SPEED				HIGH SPEED				ROPE CAPACITY*	
	LINE PULL		LINE SPEED		LINE PULL		LINE SPEED			
	LB	KG	FPM	MPM	LB	KG	FPM	MPM	FT	M
1	12,000	5,450	40	12	5,000	2,240	86	26	30	9
2	9,800	4,460	49	15	4,000	1,830	105	32	66	20
3	8,300	3,750	58	18	3,400	1,550	125	38	109	33
4	7,200	3,250	68	21	2,960	1,340	144	44	158	48
5	6,350	2,880	77	23	2,610	1,180	163	50	211	64

\* Rope capacity based on 90% of theoretical

### EXTENSION SHAFT RATING

#### 7" CAPSTAN

#### 20" C.R. REEL

LOW SPEED		HIGH SPEED		LOW SPEED		HIGH SPEED	
LINE PULL	LINE SPEED	LINE PULL	LINE SPEED	LINE PULL	LINE SPEED	LINE PULL	LINE SPEED
lbs	FPM	lbs	FPM	lbs	FPM	lbs	FPM
2,250	68	1,600	144	800	195	570	413

## DRUM CAPACITY

### -01 DRUM CAPACITY (4.00" B x 9.10" F x 14.00" W)

	PD/d	1	2	3	4	5	6
3/8"	11.6:1	38	83	134	192	256	327
1/2"	9.0:1	30	66	109	158	211	
9/16"	8.1:1	26	59	98	144		

\* Rope capacity based on 90% of theoretical

*Fleet*  
**Specified**